

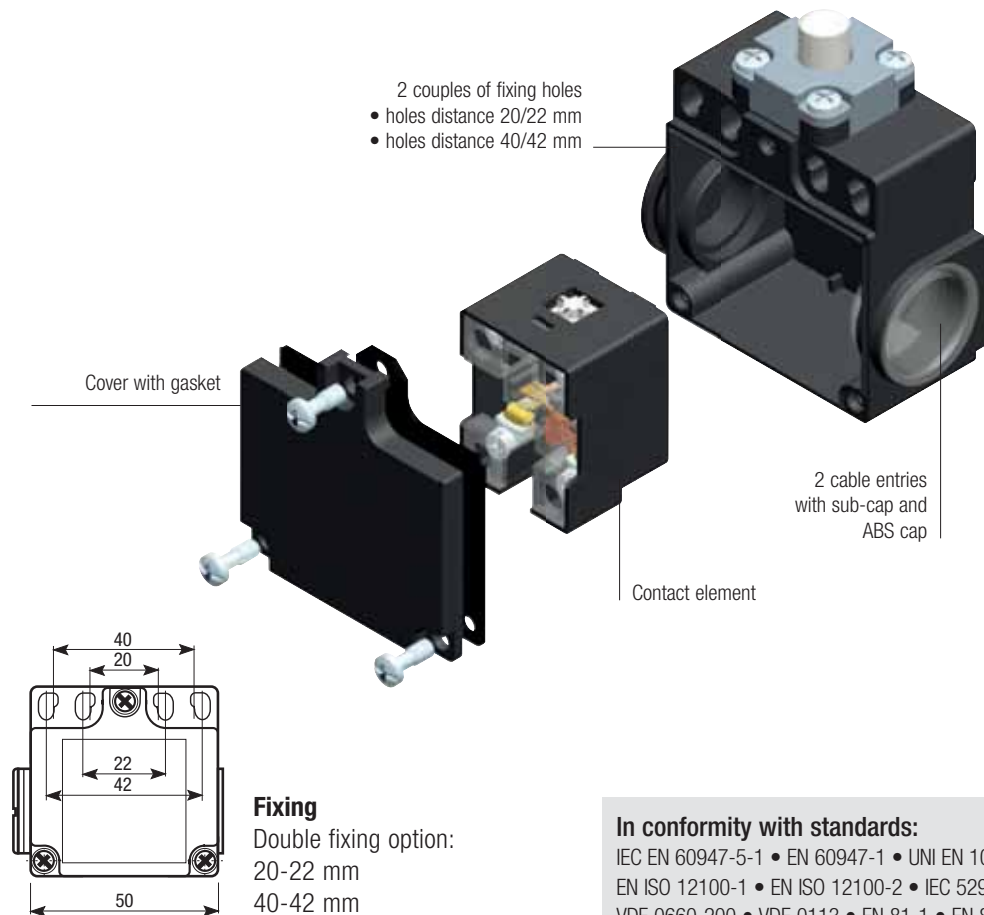
Limit switches

E200 series



E200 series

The **E200** series is designed for maximum installation flexibility, it has two different fixing templates to maintain compatibility with both E100 series (fixing holes distance 20-22mm) and E300 series (fixing holes distance 40-42 mm). E200 series provides 2 cable entries on both sides of the switch and is available with metal actuators and thermoplastic body.



In conformity with standards:
IEC EN 60947-5-1 • EN 60947-1 • UNI EN 1088
EN ISO 12100-1 • EN ISO 12100-2 • IEC 529 • EN 60529
VDE 0660-200 • VDE 0113 • EN 81-1 • EN 81-2

Cable entry
2 cable entries on the sides of the switch with thread:



Thread	Series part no.
Pg 13,5	E200...
M20x1,5	E201...
1/2" NPT (on request)	E202...
M12 connector (on request)	E200...M12

A

A•S1



Steel plunger

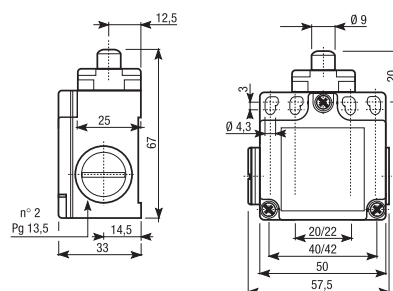
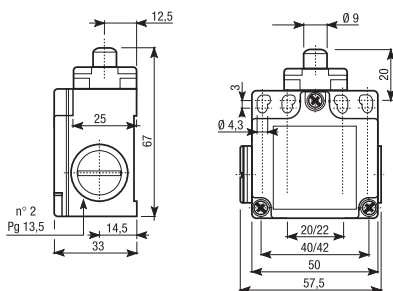


Steel plunger with rubber gasket

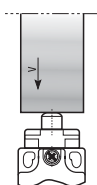
Contact element	
1NO+1NC snap action 13 21 14 22 Zb	00
1NO+1NC slow action 21 13 22 14 Zb	01
1NO+1NC slow overlap. 25 17 26 18 Zb	02
2NO slow action 13 23 14 24 X+X	03
2NC slow action 11 21 12 22 Y+Y	04
2NC snap action 11 21 12 22 Y+Y	05
Weight	kg
Pack	pcs

Cable entry		Contact travel
PG 13,5	M20 x 1,5	
Metal head	Metal head	
Plastic body	Plastic body	
E20000AI	E20100AI	
E20001AI	E20101AI	
E20002AI	E20102AI	
E20003AI	E20103AI	
E20004AI	E20104AI	
E20005AI	E20105AI	
0,11		
1		

Cable entry		Contact travel
PG 13,5	M20 x 1,5	
Metal head	Metal head	
Plastic body	Plastic body	
E20000AIS1	E20100AIS1	
E20001AIS1	E20101AIS1	
E20002AIS1	E20102AIS1	
E20003AIS1	E20103AIS1	
E20004AIS1	E20104AIS1	
E20005AIS1	E20105AIS1	
0,11		
1		



Drive cam operating parameters



V max (m/s)	0,5
Drive forces	
Minimum command force	9 N
Minimum forced opening force	28 N



Steel roller plunger

B



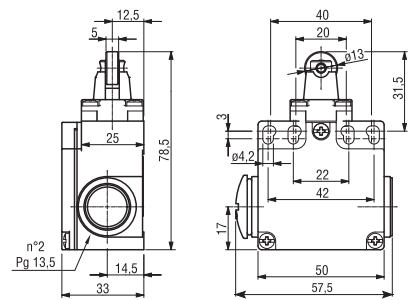
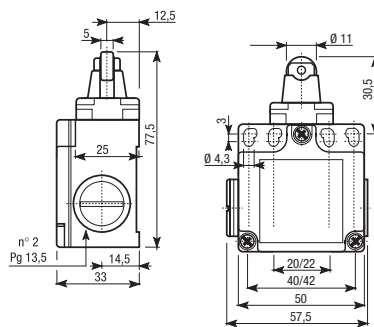
Ø13 mm steel roller plunger

B•13

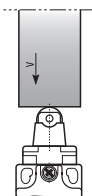
Contact element	
1NO+1NC snap action 13 21 14 22 Zb	00
1NO+1NC slow action 21 13 22 14 Zb	01
1NO+1NC slow overlap. 25 17 26 18 Zb	02
2NO slow action 13 23 14 24 X+X	03
2NC slow action 11 21 12 22 Y+Y	04
2NC snap action 11 21 12 22 Y+Y	05
Weight	kg
Pack	pcs

Cable entry		Contact travel
PG 13,5	M20 x 1,5	
Metal head Plastic body	Metal head Plastic body	
E20000BI	E20100BI	 0 2,2 4,5F 6 mm 21-22 13-14 13-14
E20001BI	E20101BI	 0 2,2 2,9 4,5F 6 mm 21-22 13-14
E20002BI	E20102BI	 0 3,3 3,8 4,5F 6 mm 25-26 17-18
E20003BI	E20103BI	 0 4 6 mm 13-14 23-24
E20004BI	E20104BI	 0 2,7 4,5F 6 mm 11-12 21-22
E20005BI	E20105BI	 0 2,3 4,5F 6 mm 11-12 21-22 1,2
0,125		
1		

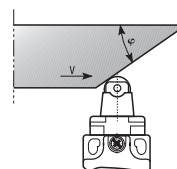
Cable entry		Contact travel
PG 13,5	M20 x 1,5	
Metal head Plastic body	Metal head Plastic body	
E20000BI13	E20100BI13	 0 2,2 4,5F 6 mm 21-22 13-14 13-14
E20001BI13	E20101BI13	 0 2,2 2,9 4,5F 6 mm 21-22 13-14
E20002BI13	E20102BI13	 0 3,3 3,8 4,5F 6 mm 25-26 17-18
E20003BI13	E20103BI13	 0 4 6 mm 13-14 23-24
E20004BI13	E20104BI13	 0 2,7 4,5F 6 mm 11-12 21-22
E20005BI13	E20105BI13	 0 2,3 4,5F 6 mm 11-12 21-22 1,2
0,125		
1		



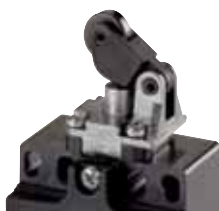
Drive cam operating parameters



V max (m/s)	0,5
Drive forces	
Minimum command force	9 N
Minimum forced opening force	28 N

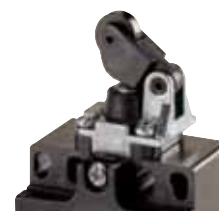


Φ	V max (m/s)
20°	1
30°	0,5
Drive forces	
Minimum command force	9 N
Minimum forced opening force	28 N



Thermoplastic roller lever, side actuation

C



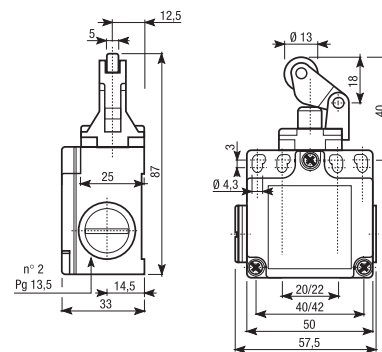
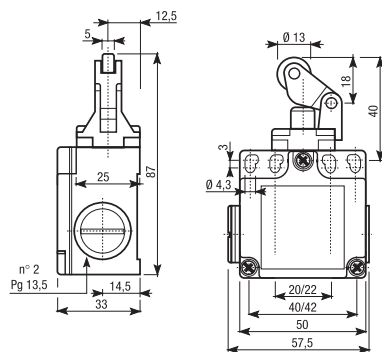
Thermoplastic roller lever with rubber gasket, side actuation

C•S1

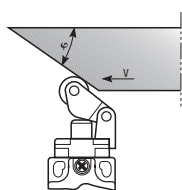
Contact element		
1NO+1NC snap action		00
1NO+1NC slow action		01
1NO+1NC slow overlap.		02
2NO slow action		03
2NC slow action		04
2NC snap action		05
Weight	kg	
Pack	pcs	

Cable entry		Contact travel
PG 13,5	M20 x 1,5	
Metal head	Metal head	
Plastic body	Plastic body	
E20000CI	E20100CI	
E20001CI	E20101CI	
E20002CI	E20102CI	
E20003CI	E20103CI	
E20004CI	E20104CI	
E20005CI	E20105CI	
0,13		
1		

Cable entry		Contact travel
PG 13,5	M20 x 1,5	
Metal head	Metal head	
Plastic body	Plastic body	
E20000CIS1	E20100CIS1	
E20001CIS1	E20101CIS1	
E20002CIS1	E20102CIS1	
E20003CIS1	E20103CIS1	
E20004CIS1	E20104CIS1	
E20005CIS1	E20105CIS1	
0,13		
1		

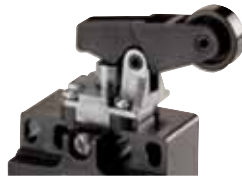


Drive cam operating parameters



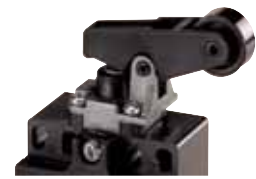
φ	V max (m/s)
20°	1
30°	0,5

Drive forces	
Minimum command force	9 N
Minimum forced opening force	28 N



Thermoplastic roller lever, vertical actuation

D



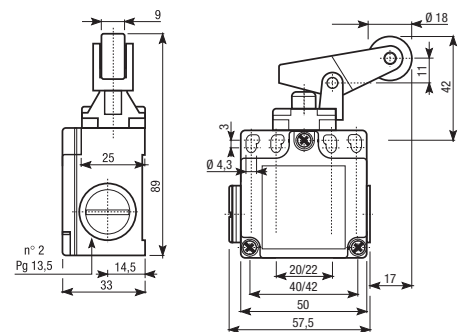
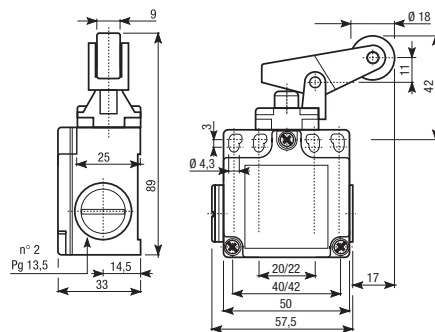
Thermoplastic roller lever with rubber gasket, vertical actuation

D•S1

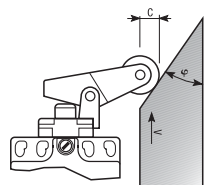
Contact element		
1NO+1NC snap action 	00	
1NO+1NC slow action 	01	
1NO+1NC slow overlap. 	02	
2NO slow action 	03	
2NC slow action 	04	
2NC snap action 	05	
Weight	kg	0,13
Pack	pcs	1

Cable entry		Contact travel
PG 13,5	M20 x 1,5	
Metal head	Metal head	
Plastic body	Plastic body	
E20000DI	E20100DI	
E20001DI	E20101DI	
E20002DI	E20102DI	
E20003DI	E20103DI	
E20004DI	E20104DI	
E20005DI	E20105DI	
0,13		
1		

Cable entry		Contact travel
PG 13,5	M20 x 1,5	
Metal head	Metal head	
Plastic body	Plastic body	
E20000DIS1	E20100DIS1	
E20001DIS1	E20101DIS1	
E20002DIS1	E20102DIS1	
E20003DIS1	E20103DIS1	
E20004DIS1	E20104DIS1	
E20005DIS1	E20105DIS1	
0,13		
1		



Drive cam operating parameters



φ	V max (m/s)
20°	1
30°	0,5
Drive forces	
Minimum command force	9 N
Minimum forced opening force	26 N



Thermoplastic roller lever

E



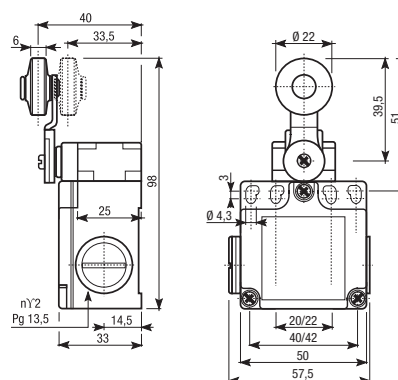
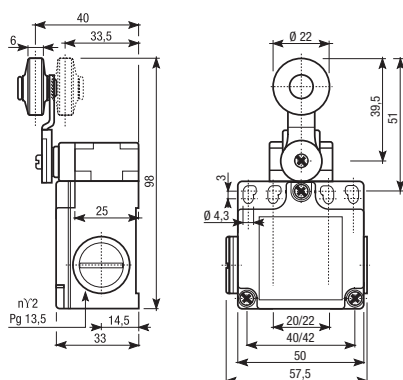
Steel roller lever

E•RA

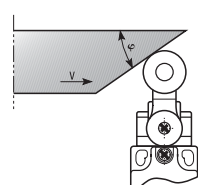
Contact element		
1NO+1NC snap action 	00	
1NO+1NC slow action 	01	
1NO+1NC slow overlap. 	02	
2NO slow action 	03	
2NC slow action 	04	
2NC snap action 	05	
Weight	kg	0,16
Pack	pcs	1

Cable entry		Contact travel
PG 13,5	M20 x 1,5	
Metal head Plastic body	Metal head Plastic body	
E20000EI	E20100EI	
E20001EI	E20101EI	
E20002EI	E20102EI	
E20003EI	E20103EI	
E20004EI	E20104EI	
E20005EI	E20105EI	
0,16		
1		

Cable entry		Contact travel
PG 13,5	M20 x 1,5	
Metal head Plastic body	Metal head Plastic body	
E20000EIRA	E20100EIRA	
E20001EIRA	E20101EIRA	
E20002EIRA	E20102EIRA	
E20003EIRA	E20103EIRA	
E20004EIRA	E20104EIRA	
E20005EIRA	E20105EIRA	
0,16		
1		



Drive cam operating parameters



φ	V max (m/s)
30°	1,5
45°	1
60°	0,75
60-90°	0,25

Drive forces	
Minimum command force	15 Ncm
Minimum forced opening force	35 Ncm



Ø50 mm rubber roller lever

E•50



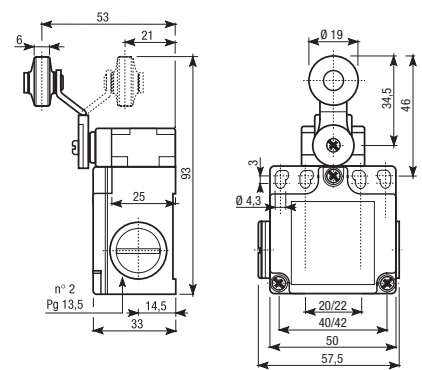
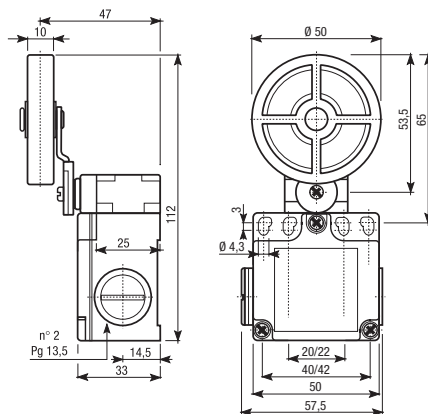
Thermoplastic roller lever

I

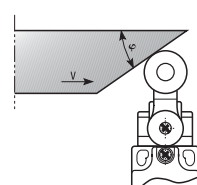
Contact element		
1NO+1NC snap action 	00	
1NO+1NC slow action 	01	
1NO+1NC slow overlap. 	02	
2NO slow action 	03	
2NC slow action 	04	
2NC snap action 	05	
Weight	kg	
Pack	pcs	

Cable entry		Contact travel
PG 13,5	M20 x 1,5	
Metal head	Metal head	
Plastic body	Plastic body	
E20000E150	E20100E150	
E20001E150	E20101E150	
E20002E150	E20102E150	
E20003E150	E20103E150	
E20004E150	E20104E150	
E20005E150	E20105E150	
0,175		
1		

Cable entry		Contact travel
PG 13,5	M20 x 1,5	
Metal head	Metal head	
Plastic body	Plastic body	
E20000II	E20100II	
E20001II	E20101II	
E20002II	E20102II	
E20003II	E20103II	
E20004II	E20104II	
E20005II	E20105II	
0,16		
1		

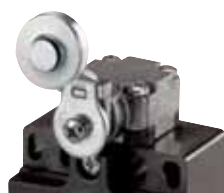


Drive cam operating parameters



φ	V max (m/s)
30°	1,5
45°	1
60°	0,75
60-90°	0,25

Drive forces	
Minimum command force	15 Ncm
Minimum forced opening force	35 Ncm



I•RA

Steel roller lever



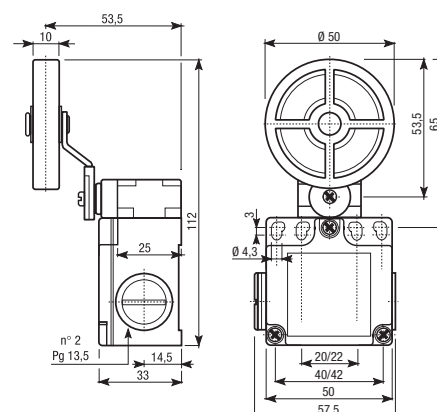
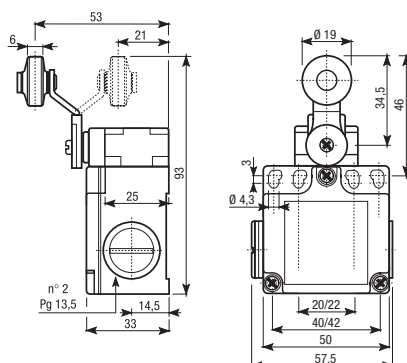
I•50

Ø50 mm rubber roller lever

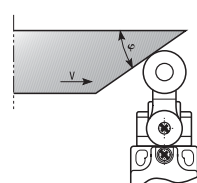
Contact element		
1NO+1NC snap action 	00	
1NO+1NC slow action 	01	
1NO+1NC slow overlap. 	02	
2NO slow action 	03	
2NC slow action 	04	
2NC snap action 	05	
Weight	kg	0,16
Pack	pcs	1

Cable entry				
PG 13,5	M20 x 1,5			Contact travel
Metal head	Metal head			
Plastic body	Plastic body			
E20000IIRA	E20100IIRA			
E20001IIRA	E20101IIRA			
E20002IIRA	E20102IIRA			
E20003IIRA	E20103IIRA			
E20004IIRA	E20104IIRA			
E20005IIRA	E20105IIRA			
		0,16		
		1		

Cable entry				
PG 13,5	M20 x 1,5			Contact travel
Metal head	Metal head			
Plastic body	Plastic body			
E20000I150	E20100I150			
E20001I150	E20101I150			
E20002I150	E20102I150			
E20003I150	E20103I150			
E20004I150	E20104I150			
E20005I150	E20105I150			
		0,17		
		1		



Drive cam operating parameters



φ	V max (m/s)
30°	1,5
45°	1
60°	0,75
60-90°	0,25

Drive forces	
Minimum command force	15 Ncm
Minimum forced opening force	35 Ncm



Thermoplastic roller variable length lever

F



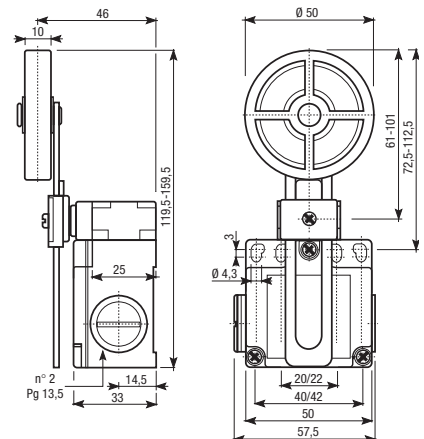
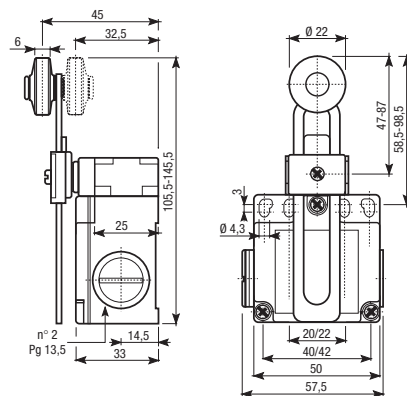
Ø50 mm rubber roller variable length lever

F•50

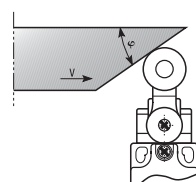
Contact element		
1NO+1NC snap action 13 21 14 22	Zb	00
1NO+1NC slow action 21 13 22 14	Zb	01
1NO+1NC slow overlap. 25 17 26 18	Zb	02
2NO slow action 13 23 14 24	X+X	03
2NC slow action 11 21 12 22	Y+Y	04
2NC snap action 11 21 12 22	Y+Y	05
Weight	kg	
Pack	pcs	

Cable entry		Contact travel
PG 13,5	M20 x 1,5	
Metal head	Metal head	
Plastic body	Plastic body	
E20000FI	E20100FI	
E20001FI	E20101FI	
E20002FI	E20102FI	
E20003FI	E20103FI	
E20004FI	E20104FI	
E20005FI	E20105FI	
0,175		
1		

Cable entry		Contact travel
PG 13,5	M20 x 1,5	
Metal head	Metal head	
Plastic body	Plastic body	
E20000FI50	E20100FI50	
E20001FI50	E20101FI50	
E20002FI50	E20102FI50	
E20003FI50	E20103FI50	
E20004FI50	E20104FI50	
E20005FI50	E20105FI50	
0,195		
1		



Drive cam operating parameters



φ	V max (m/s)
30°	1,5
45°	1
60°	0,75
60-90°	0,25

Drive forces	
Minimum command force	15 Ncm
Minimum forced opening force	35 Ncm



FR•50

Ø50 mm rubber roller adjustable lever



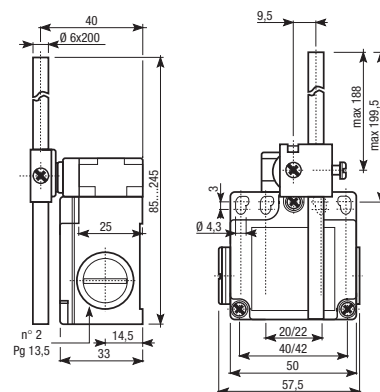
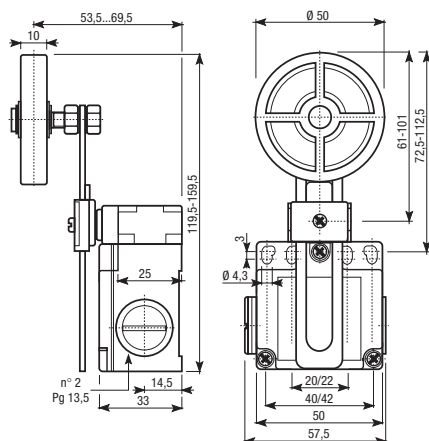
G

Side rotary adjustable Ø6 mm glass fiber rod

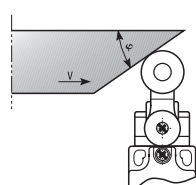
Contact element		
1NO+1NC snap action		00
1NO+1NC slow action		01
1NO+1NC slow overlap.		02
2NO slow action		03
2NC slow action		04
2NC snap action		05
Weight	kg	
Pack	pcs	

Cable entry		Contact travel
PG 13,5	M20 x 1,5	
Metal head Plastic body	Metal head Plastic body	
E20000FRI50	E20100FRI50	
E20001FRI50	E20101FRI50	
E20002FRI50	E20102FRI50	
E20003FRI50	E20103FRI50	
E20004FRI50	E20104FRI50	
E20005FRI50	E20105FRI50	
0,21		
1		

Cable entry		Contact travel
PG 13,5	M20 x 1,5	
Metal head Plastic body	Metal head Plastic body	
E20000GI	E20100GI	
E20001GI	E20101GI	
E20002GI	E20102GI	
E20003GI	E20103GI	
E20004GI	E20104GI	
E20005GI	E20105GI	
0,19		
1		



Drive cam operating parameters



φ	V max (m/s)
30°	1,5
45°	1
60°	0,75
60-90°	0,25

Drive forces	
Minimum command force	15 Ncm
Minimum forced opening force	35 Ncm



Side rotary adjustable
Ø6 mm aluminium rod

H



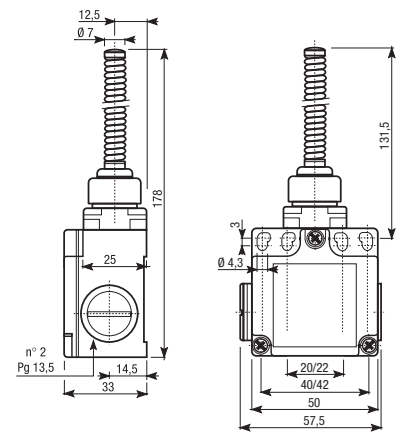
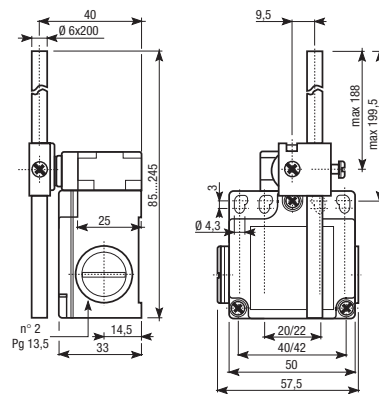
Flexible rod

L

Contact element		
1NO+1NC snap action Zb	00	
1NO+1NC slow action Zb	01	
1NO+1NC slow overlap. Zb	02	
2NO slow action action X+X	03	
2NC slow action action Y+Y	04	
2NC snap action Y+Y	05	
Weight	kg	
Pack	pcs	

Cable entry		Contact travel
PG 13,5	M20 x 1,5	
Metal head Plastic body	Metal head Plastic body	
E20000HI	E20100HI	
E20001HI	E20101HI	
E20002HI	E20102HI	
E20003HI	E20103HI	
E20004HI	E20104HI	
E20005HI	E20105HI	
0,19		
1		

Cable entry		Contact travel
PG 13,5	M20 x 1,5	
Metal head Plastic body	Metal head Plastic body	
E20000LI	E20100LI	
E20001LI	E20101LI	
E20002LI	E20102LI	
E20003LI	E20103LI	
E20004LI	E20104LI	
E20005LI	E20105LI	
0,16		
1		





LP

Flexible rod with plastic terminal



LS

Cat's whisker

Contact element		
1NO+1NC snap action 13 21 14 22 Zb	00	
1NO+1NC slow action 21 13 22 14 Zb	01	
1NO+1NC slow overlap. 25 17 26 18 Zb	02	
2NO slow action 13 23 14 24 X+X	03	
2NC slow action 11 21 12 22 Y+Y	04	
2NC snap action 11 21 12 22 Y+Y	05	
Weight	kg	0,16
Pack	pcs	1

Cable entry		Contact travel
PG 13,5	M20 x 1,5	
Metal head Plastic body	Metal head Plastic body	
E20000LPI	E20100LPI	 0 15° 21-22 13-14 13-14 6°
E20001LPI	E20101LPI	 0 10° 21-22 13-14 14°
E20002LPI	E20102LPI	 0 10° 25-26 17-18 13°
E20003LPI	E20103LPI	 0 13° 13-14 23-24
E20004LPI	E20104LPI	 0 8° 11-12 21-22
E20005LPI	E20105LPI	 0 11° 11-12 21-22 21-22 5°
Weight		kg
Pack		pcs
		0,16
		1

Cable entry		Contact travel
PG 13,5	M20 x 1,5	
Metal head Plastic body	Metal head Plastic body	
E20000LSI	E20100LSI	 0 15° 21-22 13-14 13-14 6°
E20001LSI	E20101LSI	 0 10° 21-22 13-14 14°
E20002LSI	E20102LSI	 0 10° 25-26 17-18 13°
E20003LSI	E20103LSI	 0 13° 13-14 23-24
E20004LSI	E20104LSI	 0 8° 11-12 21-22
E20005LSI	E20105LSI	 0 11° 11-12 21-22 21-22 5°
Weight		kg
Pack		pcs
		0,16
		1

