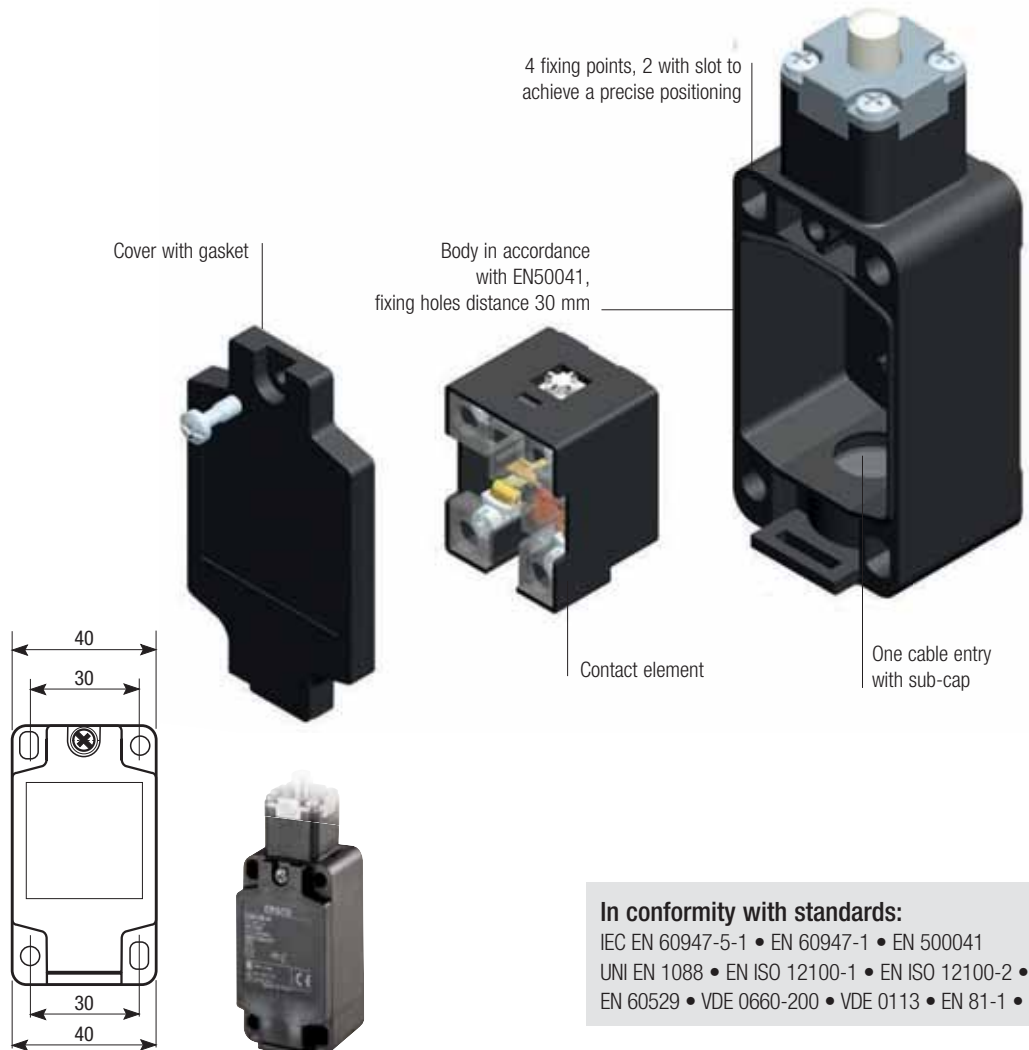




### E400 series

The **E400** series is the most robust of Bremas position switches. Dimensions are in accordance with CENELEC EN 50041, 4 fixing holes with distance 30 mm. It is equipped with one hole for cable entry on the bottom of the switch. Available with metal actuators and thermoplastic or metal body.



**Fixing**  
body in accordance with CENELEC EN50041, with 4 fixing holes with 30 mm horizontal distance.

**Cable entry**  
1 cable entry on the bottom of the switch with thread:

#### In conformity with standards:

IEC EN 60947-5-1 • EN 60947-1 • EN 500041  
UNI EN 1088 • EN ISO 12100-1 • EN ISO 12100-2 • IEC 529  
EN 60529 • VDE 0660-200 • VDE 0113 • EN 81-1 • EN 81-2

#### Thread

Pg 13,5  
M20x1,5  
1/2" NPT (on request)  
M12 connector (on request)

#### Series part no.

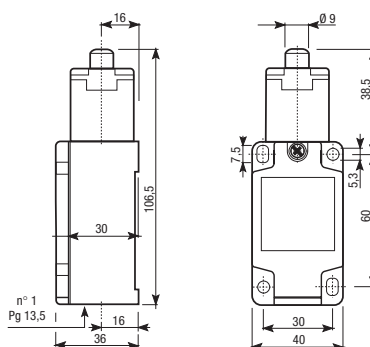
E400...  
E401...  
E402...  
E400...M12



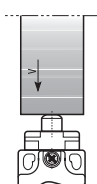
Steel plunger

Contact element		Cable entry				Contact travel
		PG 13,5		M20 x 1,5		
		Metal head Plastic body	Metal head Metal body	Metal head Plastic body	Metal head Metal body	
1NO+1NC azione rapida		<b>E40000AI*</b>	<b>E40000AM*</b>	<b>E40100AI*</b>	<b>E40100AM*</b>	
1NO+1NC azione lenta		<b>E40001AI*</b>	<b>E40001AM*</b>	<b>E40101AI*</b>	<b>E40101AM*</b>	
1NO+1NC lenta sovrapp.		<b>E40002AI</b>	<b>E40002AM</b>	<b>E40102AI</b>	<b>E40102AM</b>	
2NO azione lenta		<b>E40003AI</b>	<b>E40003AM</b>	<b>E40103AI</b>	<b>E40103AM</b>	
2NC azione lenta		<b>E40004AI</b>	<b>E40004AM</b>	<b>E40104AI</b>	<b>E40104AM</b>	
2NC azione rapida		<b>E40005AI</b>	<b>E40005AM</b>	<b>E40105AI</b>	<b>E40105AM</b>	
<b>Weight</b>	<b>kg</b>	0,245	0,36	0,245	0,36	
<b>Pack</b>	<b>pcs</b>	1	1	1	1	

\* form conforming to EN 50041



Drive cam operating parameters

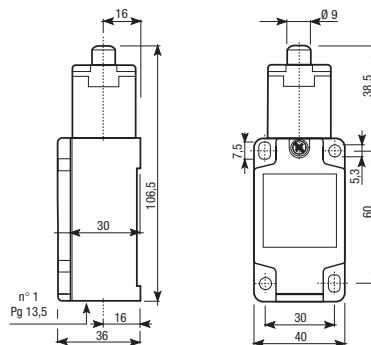
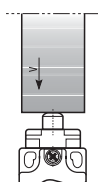


V max (m/s)	0,5
Drive forces	
Minimum command force	9 N
Minimum forced opening force	28 N


**Steel plunger with rubber gasket**

Contact element	Cable entry				Contact travel
	PG 13,5		M20 x 1,5		
	Metal head Plastic body	Metal head Metal body	Metal head Plastic body	Metal head Metal body	
<b>1NO+1NC snap action</b>  <b>00</b>	<b>E40000AIS1*</b>	<b>E40000AMS1*</b>	<b>E40100AIS1*</b>	<b>E40100AMS1*</b>	 0 2,2 4,5F 6 mm 21-22 13-14 21-22 13-14
<b>1NO+1NC slow action</b>  <b>01</b>	<b>E40001AIS1*</b>	<b>E40001AMS1*</b>	<b>E40101AIS1*</b>	<b>E40101AMS1*</b>	 0 2,2 2,9 4,5F 6 mm 21-22 13-14
<b>1NO+1NC slow overlap.</b>  <b>02</b>	<b>E40002AIS1</b>	<b>E40002AMS1</b>	<b>E40102AIS1</b>	<b>E40102AMS1</b>	 0 3,3 3,8 4,5F 6 mm 25-26 17-18
<b>2NO slow action</b>  <b>03</b>	<b>E40003AIS1</b>	<b>E40003AMS1</b>	<b>E40103AIS1</b>	<b>E40103AMS1</b>	 0 4 6 mm 13-14 23-24
<b>2NC slow action</b>  <b>04</b>	<b>E40004AIS1</b>	<b>E40004AMS1</b>	<b>E40104AIS1</b>	<b>E40104AMS1</b>	 0 2,7 4,5F 6 mm 11-12 21-22
<b>2NC snap action</b>  <b>05</b>	<b>E40005AIS1</b>	<b>E40005AMS1</b>	<b>E40105AIS1</b>	<b>E40105AMS1</b>	 0 2,3 4,5F 6 mm 11-12 21-22 11-12 21-22 1,2
<b>Weight</b> kg	0,245	0,36	0,245	0,36	
<b>Pack</b> pcs	1	1	1	1	

\* form conforming to EN 50041


**Drive cam operating parameters**


V max (m/s)	0,5
Drive forces	
Minimum command force	9 N
Minimum forced opening force	28 N

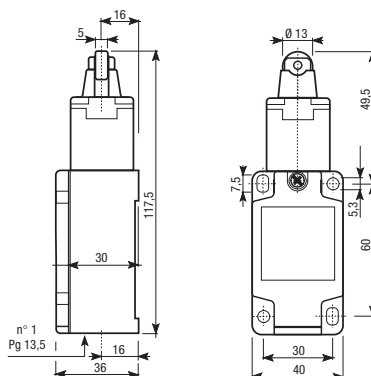


Steel roller plunger

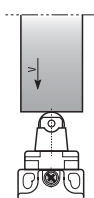
Contact element	
1NO+1NC snap action  <b>00</b>	
1NO+1NC slow action  <b>01</b>	
1NO+1NC slow overlap.  <b>02</b>	
2NO slow action  <b>03</b>	
2NC slow action  <b>04</b>	
2NC snap action  <b>05</b>	
<b>Weight</b>	<b>kg</b>
<b>Pack</b>	<b>pcs</b>

		Cable entry				Contact travel
		PG 13,5		M20 x 1,5		
		Metal head Plastic body	Metal head Metal body	Metal head Plastic body	Metal head Metal body	
	<b>E40000BI*</b>	<b>E40000BM*</b>	<b>E40100BI*</b>	<b>E40100BM*</b>		
	<b>E40001BI*</b>	<b>E40001BM*</b>	<b>E40101BI*</b>	<b>E40101BM*</b>		
	<b>E40002BI</b>	<b>E40002BM</b>	<b>E40102BI</b>	<b>E40102BM</b>		
	<b>E40003BI</b>	<b>E40003BM</b>	<b>E40103BI</b>	<b>E40103BM</b>		
	<b>E40004BI</b>	<b>E40004BM</b>	<b>E40104BI</b>	<b>E40104BM</b>		
	<b>E40005BI</b>	<b>E40005BM</b>	<b>E40105BI</b>	<b>E40105BM</b>		
	0,255	0,37	0,255	0,37		
	1	1	1	1		

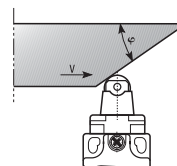
\* form conforming to EN 50041



Drive cam operating parameters



V max (m/s)	0,5
Drive forces	
Minimum command force	9 N
Minimum forced opening force	28 N



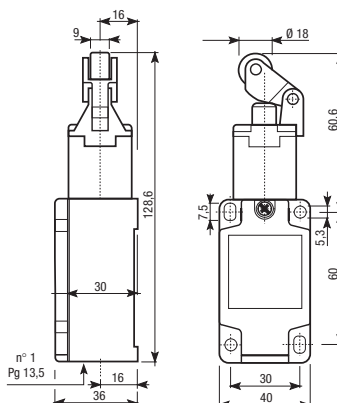
V max (m/s)	
20°	1
30°	0,5
Drive forces	
Minimum command force	9 N
Minimum forced opening force	28 N



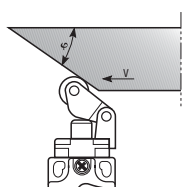


Thermoplastic roller lever with rubber gasket, side actuation

Contact element		Cable entry				Contact travel
		PG 13,5		M20 x 1,5		
		Metal head Plastic body	Metal head Metal body	Metal head Plastic body	Metal head Metal body	
1NO+1NC snap action	00	E40000CIS1	E40000CMS1	E40100CIS1	E40100CMS1	
1NO+1NC slow action	01	E40001CIS1	E40001CMS1	E40101CIS1	E40101CMS1	
1NO+1NC slow overlap.	02	E40002CIS1	E40002CMS1	E40102CIS1	E40102CMS1	
2NO slow action	03	E40003CIS1	E40003CMS1	E40103CIS1	E40103CMS1	
2NC slow action	04	E40004CIS1	E40004CMS1	E40104CIS1	E40104CMS1	
2NC snap action	05	E40005CIS1	E40005CMS1	E40105CIS1	E40105CMS1	
Weight	kg	0,255	0,37	0,255	0,37	
Pack	pcs	1	1	1	1	



Drive cam operating parameters



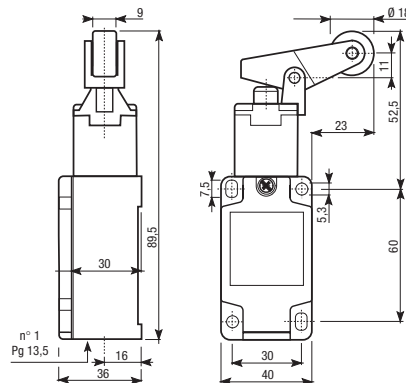
$\varphi$	V max (m/s)
20°	1
30°	0,5

Drive forces	
Minimum command force	9 N
Minimum forced opening force	26 N

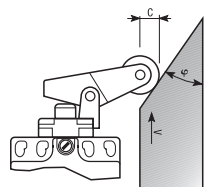


Thermoplastic roller lever, vertical actuation

Contact element		Cable entry				Contact travel
		PG 13,5		M20 x 1,5		
		Metal head Plastic body	Metal head Metal body	Metal head Plastic body	Metal head Metal body	
1NO+1NC snap action	00	E40000DI	E40000DM	E40100DI	E40100DM	
1NO+1NC slow action	01	E40001DI	E40001DM	E40101DI	E40101DM	
1NO+1NC slow overlap.	02	E40002DI	E40002DM	E40102DI	E40102DM	
2NO slow action	03	E40003DI	E40003DM	E40103DI	E40103DM	
2NC slow action	04	E40004DI	E40004DM	E40104DI	E40104DM	
2NC snap action	05	E40005DI	E40005DM	E40105DI	E40105DM	
Weight	kg	0,255	0,37	0,255	0,37	
Pack	pcs	1	1	1	1	



Drive cam operating parameters



$\Phi$	V max (m/s)
20°	1
30°	0,5

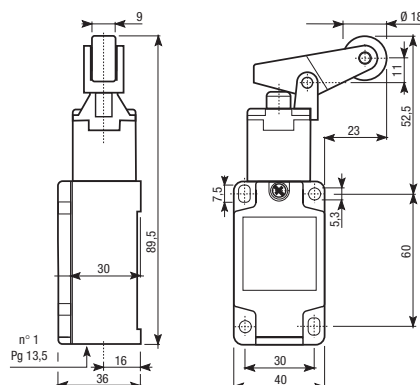
Drive forces	
Minimum command force	9 N
Minimum forced opening force	26 N

D•S1

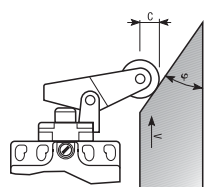


Thermoplastic roller lever with rubber gasket, vertical actuation

Contact element		Cable entry				Contact travel
		PG 13,5		M20 x 1,5		
		Metal head Plastic body	Metal head Metal body	Metal head Plastic body	Metal head Metal body	
1NO+1NC snap action	00	E4000DIS1	E4000DMS1	E40100DIS1	E40100DMS1	
1NO+1NC slow action	01	E40001DIS1	E40001DMS1	E40101DIS1	E40101DMS1	
1NO+1NC slow overlap.	02	E40002DIS1	E40002DMS1	E40102DIS1	E40102DMS1	
2NO slow action	03	E40003DIS1	E40003DMS1	E40103DIS1	E40103DMS1	
2NC slow action	04	E40004DIS1	E40004DMS1	E40104DIS1	E40104DMS1	
2NC snap action	05	E40005DIS1	E40005DMS1	E40105DIS1	E40105DMS1	
Weight	kg	0,255	0,37	0,255	0,37	
Pack	pcs	1	1	1	1	



Drive cam operating parameters



$\varphi$	V max (m/s)
20°	1
30°	0,5

Drive forces	
Minimum command force	9 N
Minimum forced opening force	26 N

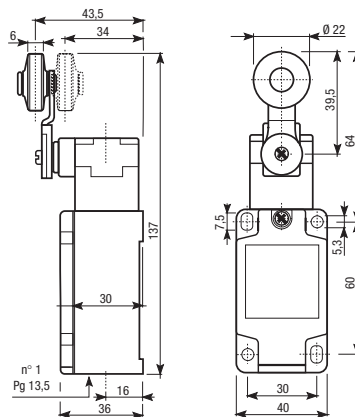




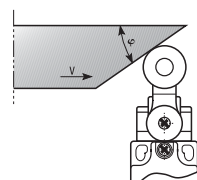
Thermoplastic roller lever

Contact element		
1NO+1NC snap action 	00	
1NO+1NC slow action 	01	
1NO+1NC slow overlap. 	02	
2NO slow action 	03	
2NC slow action 	04	
2NC snap action 	05	
<b>Weight</b>	<b>kg</b>	
<b>Pack</b>	<b>pcs</b>	

Cable entry					Contact travel
PG 13,5		M20 x 1,5			
Metal head Plastic body	Metal head Metal body	Metal head Plastic body	Metal head Metal body		
E40000EI	E40000EM	E40100EI	E40100EM		
E40001EI	E40001EM	E40101EI	E40101EM		
E40002EI	E40002EM	E40102EI	E40102EM		
E40003EI	E40003EM	E40103EI	E40103EM		
E40004EI	E40004EM	E40104EI	E40104EM		
E40005EI	E40005EM	E40105EI	E40105EM		
0,285	0,4	0,285	0,4		
1	1	1	1		



Drive cam operating parameters



$\varphi$	V max (m/s)
30°	1,5
45°	1
60°	0,75
60-90°	0,25

Drive forces	
Minimum command force	25 Ncm
Minimum forced opening force	45 Ncm

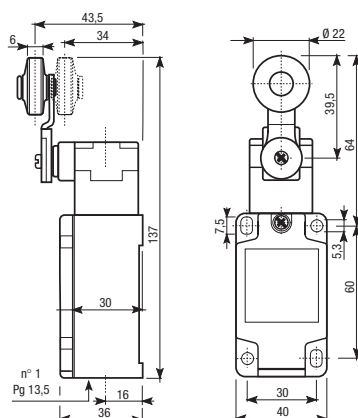
E•RA



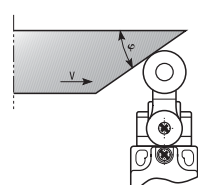
Steel roller lever

Contact element	
1NO+1NC snap action 	<b>00</b>
1NO+1NC slow action 	<b>01</b>
1NO+1NC slow overlap. 	<b>02</b>
2NO slow action 	<b>03</b>
2NC slow action 	<b>04</b>
2NC snap action 	<b>05</b>
<b>Weight</b>	<b>kg</b>
<b>Pack</b>	<b>pcs</b>

Cable entry				
PG 13,5		M20 x 1,5		Contact travel
Metal head Plastic body	Metal head Metal body	Metal head Plastic body	Metal head Metal body	
E40000EIRA	E40000EMRA	E40100EIRA	E40100EMRA	
E40001EIRA	E40001EMRA	E40101EIRA	E40101EMRA	
E40002EIRA	E40002EMRA	E40102EIRA	E40102EMRA	
E40003EIRA	E40003EMRA	E40103EIRA	E40103EMRA	
E40004EIRA	E40004EMRA	E40104EIRA	E40104EMRA	
E40005EIRA	E40005EMRA	E40105EIRA	E40105EMRA	
<b>Weight</b>	<b>0,285</b>	<b>0,4</b>	<b>0,285</b>	<b>0,4</b>
<b>Pack</b>	<b>1</b>	<b>1</b>	<b>1</b>	<b>1</b>



Drive cam operating parameters



$\varphi$	V max (m/s)
30°	1,5
45°	1
60°	0,75
60-90°	0,25

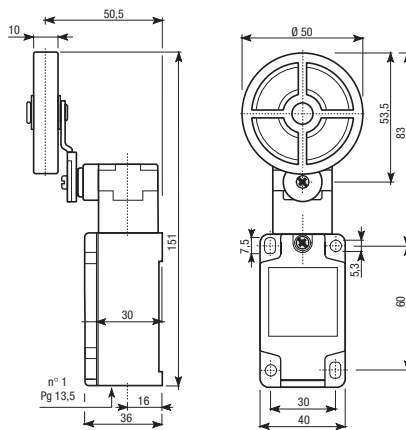
Drive forces	
Minimum command force	25 Ncm
Minimum forced opening force	45 Ncm



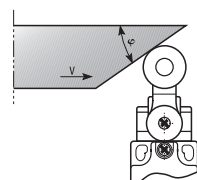
Ø50 mm rubber roller lever

Contact element		
1NO+1NC snap action 	<b>00</b>	
1NO+1NC slow action 	<b>01</b>	
1NO+1NC slow overlap. 	<b>02</b>	
2NO slow action 	<b>03</b>	
2NC slow action 	<b>04</b>	
2NC snap action 	<b>05</b>	
<b>Weight</b>	<b>kg</b>	
<b>Pack</b>	<b>pcs</b>	

Cable entry					Contact travel
PG 13,5		M20 x 1,5		Contact travel	
Metal head Plastic body	Metal head Metal body	Metal head Plastic body	Metal head Metal body		
<b>E40000EI50</b>	<b>E40000EM50</b>	<b>E40100EI50</b>	<b>E40100EM50</b>		
<b>E40001EI50</b>	<b>E40001EM50</b>	<b>E40101EI50</b>	<b>E40101EM50</b>		
<b>E40002EI50</b>	<b>E40002EM50</b>	<b>E40102EI50</b>	<b>E40102EM50</b>		
<b>E40003EI50</b>	<b>E40003EM50</b>	<b>E40103EI50</b>	<b>E40103EM50</b>		
<b>E40004EI50</b>	<b>E40004EM50</b>	<b>E40104EI50</b>	<b>E40104EM50</b>		
<b>E40005EI50</b>	<b>E40005EM50</b>	<b>E40105EI50</b>	<b>E40105EM50</b>		
<b>0,295</b>	<b>0,41</b>	<b>0,295</b>	<b>0,41</b>		
<b>1</b>	<b>1</b>	<b>1</b>	<b>1</b>		



Drive cam operating parameters



$\varphi$	V max (m/s)
30°	1,5
45°	1
60°	0,75
60-90°	0,25

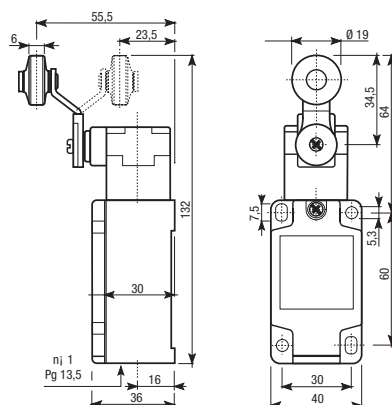
Drive forces	
Minimum command force	25 Ncm
Minimum forced opening force	45 Ncm



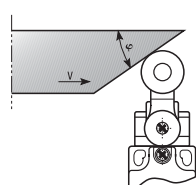
Leva piegata con rotella in plastica

Contact element		Cable entry				Contact travel
		PG 13,5		M20 x 1,5		
		Metal head Plastic body	Metal head Metal body	Metal head Plastic body	Metal head Metal body	
1NO+1NC azione rapida	00	E40000II*	E40000IM*	E40100II*	E40100IM*	
1NO+1NC azione lenta	01	E40001II*	E40001IM*	E40101II*	E40101IM*	
1NO+1NC lenta sovrapp.	02	E40002II	E40002IM	E40102II	E40102IM	
2NO azione lenta	03	E40003II	E40003IM	E40103II	E40103IM	
2NC azione lenta	04	E40004II	E40004IM	E40104II	E40104IM	
2NC azione rapida	05	E40005II	E40005IM	E40105II	E40105IM	
Weight	kg	0,285	0,4	0,285	0,4	
Pack	pcs	1	1	1	1	

\* form conforming to EN 50041



Drive cam operating parameters



$\varphi$	V max (m/s)
30°	1,5
45°	1
60°	0,75
60-90°	0,25

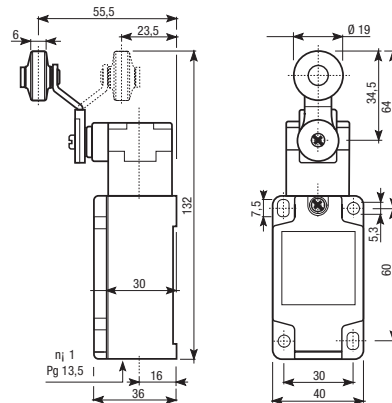
Drive forces	
Minimum command force	25 Ncm
Minimum forced opening force	45 Ncm



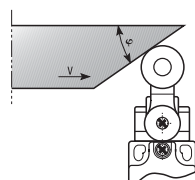
Steel roller lever

Contact element		
1NO+1NC snap action  13 21 14 22	Zb	00
1NO+1NC slow action  21 13 22 14	Zb	01
1NO+1NC slow overlap.  25 17 26 18	Zb	02
2NO slow action  13 23 14 24	X+X	03
2NC slow action  11 21 12 22	Y+Y	04
2NC snap action  11 21 12 22	Y+Y	05
Weight	kg	
Pack	pcs	

Cable entry				
PG 13,5		M20 x 1,5		Contact travel
Metal head Plastic body	Metal head Metal body	Metal head Plastic body	Metal head Metal body	
E4000IIRA	E4000IMRA	E40100IIRA	E40100IMRA	
E40001IIRA	E40001IMRA	E40101IIRA	E40101IMRA	
E40002IIRA	E40002IMRA	E40102IIRA	E40102IMRA	
E40003IIRA	E40003IMRA	E40103IIRA	E40103IMRA	
E40004IIRA	E40004IMRA	E40104IIRA	E40104IMRA	
E40005IIRA	E40005IMRA	E40105IIRA	E40105IMRA	
0,285	0,4	0,285	0,4	
1	1	1	1	



Drive cam operating parameters



$\varphi$	V max (m/s)
30°	1,5
45°	1
60°	0,75
60-90°	0,25

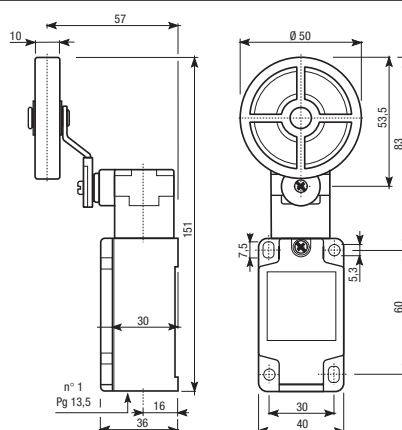
Drive forces	
Minimum command force	25 Ncm
Minimum forced opening force	45 Ncm



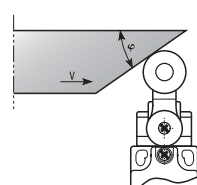
Ø50 mm rubber roller lever

Contact element	
1NO+1NC snap action 	<b>00</b>
1NO+1NC slow action 	<b>01</b>
1NO+1NC slow overlap. 	<b>02</b>
2NO slow action 	<b>03</b>
2NC slow action 	<b>04</b>
2NC snap action 	<b>05</b>
<b>Weight</b>	<b>kg</b>
<b>Pack</b>	<b>pcs</b>

Cable entry				
PG 13,5		M20 x 1,5		Contact travel
Metal head Plastic body	Metal head Metal body	Metal head Plastic body	Metal head Metal body	
E40000I150	E40000IM50	E40100I150	E40100IM50	
E40001I150	E40001IM50	E40101I150	E40101IM50	
E40002I150	E40002IM50	E40102I150	E40102IM50	
E40003I150	E40003IM50	E40103I150	E40103IM50	
E40004I150	E40004IM50	E40104I150	E40104IM50	
E40005I150	E40005IM50	E40105I150	E40105IM50	
<b>Weight</b>	<b>kg</b>	<b>Weight</b>	<b>kg</b>	
0,295	0,41	0,295	0,41	
<b>Pack</b>	<b>pcs</b>	<b>Pack</b>	<b>pcs</b>	
1	1	1	1	



Drive cam operating parameters



$\varphi$	V max (m/s)
30°	1,5
45°	1
60°	0,75
60-90°	0,25

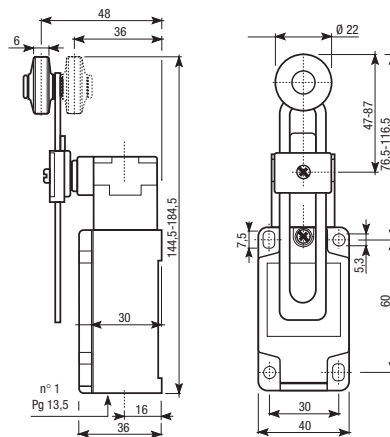
Drive forces	
Minimum command force	25 Ncm
Minimum forced opening force	45 Ncm



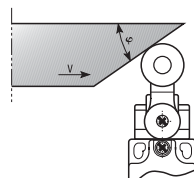
Thermoplastic roller variable length lever

Contact element	
1NO+1NC snap action 	<b>00</b>
1NO+1NC slow action 	<b>01</b>
1NO+1NC slow overlap. 	<b>02</b>
2NO slow action 	<b>03</b>
2NC slow action 	<b>04</b>
2NC snap action 	<b>05</b>
<b>Weight</b>	<b>kg</b>
<b>Pack</b>	<b>pcs</b>

Cable entry				Contact travel
PG 13,5		M20 x 1,5		
Metal head Plastic body	Metal head Metal body	Metal head Plastic body	Metal head Metal body	
E40000FI	E40000FM	E40100FI	E40100FM	
E40001FI	E40001FM	E40101FI	E40101FM	
E40002FI	E40002FM	E40102FI	E40102FM	
E40003FI	E40003FM	E40103FI	E40103FM	
E40004FI	E40004FM	E40104FI	E40104FM	
E40005FI	E40005FM	E40105FI	E40105FM	
0,305	0,42	0,305	0,42	
1	1	1	1	



Drive cam operating parameters



$\varphi$	V max (m/s)
30°	1,5
45°	1
60°	0,75
60-90°	0,25

Drive forces	
Minimum command force	25 Ncm
Minimum forced opening force	45 Ncm

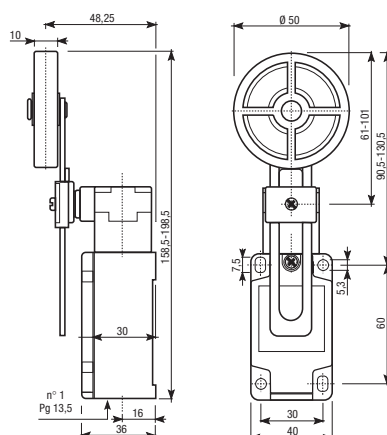
F•50



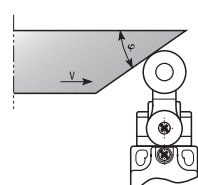
Ø50 mm rubber roller variable length lever

Contact element	
1NO+1NC snap action 	00
1NO+1NC slow action 	01
1NO+1NC slow overlap. 	02
2NO slow action 	03
2NC slow action 	04
2NC snap action 	05
Weight	kg
Pack	pcs

Cable entry				
PG 13,5		M20 x 1,5		Contact travel
Metal head Plastic body	Metal head Metal body	Metal head Plastic body	Metal head Metal body	
E40000FI50	E40000FM50	E40100FI50	E40100FM50	
E40001FI50	E40001FM50	E40101FI50	E40101FM50	
E40002FI50	E40002FM50	E40102FI50	E40102FM50	
E40003FI50	E40003FM50	E40103FI50	E40103FM50	
E40004FI50	E40004FM50	E40104FI50	E40104FM50	
E40005FI50	E40005FM50	E40105FI50	E40105FM50	
0,315	0,43	0,315	0,43	
1	1	1	1	



Drive cam operating parameters



$\varphi$	V max (m/s)
30°	1,5
45°	1
60°	0,75
60-90°	0,25

Drive forces	
Minimum command force	25 Ncm
Minimum forced opening force	45 Ncm

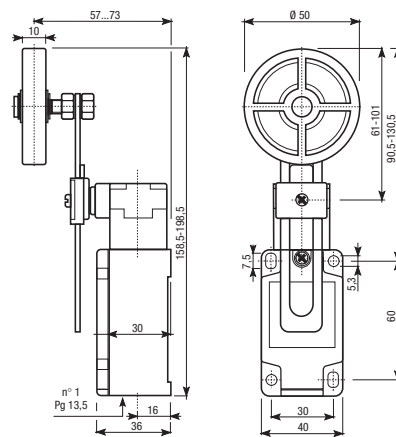




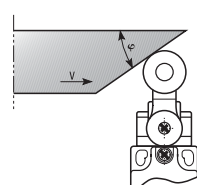
Ø50 mm rubber roller adjustable lever

Contact element		
1NO+1NC azione rapida  13 21 14 22	<b>00</b>	Zb
1NO+1NC azione lenta  21 13 22 14	<b>01</b>	Zb
1NO+1NC lenta sovrapp.  25 17 26 18	<b>02</b>	Zb
2NO azione lenta  13 23 14 24	<b>03</b>	X+X
2NC azione lenta  11 21 12 22	<b>04</b>	Y+Y
2NC azione rapida  11 21 12 22	<b>05</b>	Y+Y
<b>Weight</b>	<b>kg</b>	
<b>Pack</b>	<b>pcs</b>	

Cable entry				
PG 13,5		M20 x 1,5		Contact travel
Metal head Plastic body	Metal head Metal body	Metal head Plastic body	Metal head Metal body	
<b>E4000FRI50</b>	<b>E4000FRM50</b>	<b>E40100FRI50</b>	<b>E40100FRM50</b>	
<b>E40001FRI50</b>	<b>E40001FRM50</b>	<b>E40101FRI50</b>	<b>E40101FRM50</b>	
<b>E40002FRI50</b>	<b>E40002FRM50</b>	<b>E40102FRI50</b>	<b>E40102FRM50</b>	
<b>E40003FRI50</b>	<b>E40003FRM50</b>	<b>E40103FRI50</b>	<b>E40103FRM50</b>	
<b>E40004FRI50</b>	<b>E40004FRM50</b>	<b>E40104FRI50</b>	<b>E40104FRM50</b>	
<b>E40005FRI50</b>	<b>E40005FRM50</b>	<b>E40105FRI50</b>	<b>E40105FRM50</b>	
<b>0,325</b>	<b>0,44</b>	<b>0,325</b>	<b>0,44</b>	
<b>1</b>	<b>1</b>	<b>1</b>	<b>1</b>	



Drive cam operating parameters



φ	V max (m/s)
30°	1,5
45°	1
60°	0,75
60-90°	0,25

Drive forces	
Minimum command force	25 Ncm
Minimum forced opening force	45 Ncm

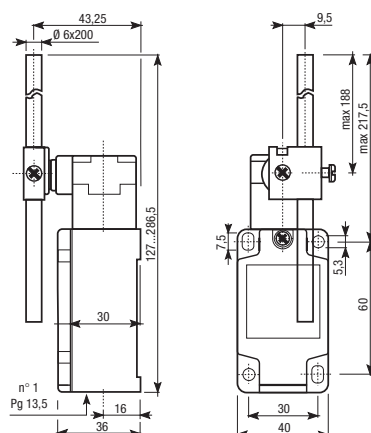


Side rotary adjustable Ø6 mm glass fiber rod

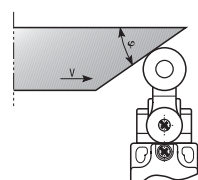
Contact element		
1NO+1NC snap action 	<b>00</b>	
1NO+1NC slow action 	<b>01</b>	
1NO+1NC slow overlap. 	<b>02</b>	
2NO slow action 	<b>03</b>	
2NC slow action 	<b>04</b>	
2NC snap action 	<b>05</b>	
<b>Weight</b>	<b>kg</b>	
<b>Pack</b>	<b>pcs</b>	

Cable entry					Contact travel
PG 13,5		M20 x 1,5			
Metal head Plastic body	Metal head Metal body	Metal head Plastic body	Metal head Metal body		
<b>E40000GI*</b>	<b>E40000GM*</b>	<b>E40100GI*</b>	<b>E40100GM*</b>		
<b>E40001GI*</b>	<b>E40001GM*</b>	<b>E40101GI*</b>	<b>E40101GM*</b>		
<b>E40002GI</b>	<b>E40002GM</b>	<b>E40102GI</b>	<b>E40102GM</b>		
<b>E40003GI</b>	<b>E40003GM</b>	<b>E40103GI</b>	<b>E40103GM</b>		
<b>E40004GI</b>	<b>E40004GM</b>	<b>E40104GI</b>	<b>E40104GM</b>		
<b>E40005GI</b>	<b>E40005GM</b>	<b>E40105GI</b>	<b>E40105GM</b>		
<b>0,21</b>	<b>0,425</b>	<b>0,21</b>	<b>0,425</b>		
<b>1</b>	<b>1</b>	<b>1</b>	<b>1</b>		

\* form conforming to EN 50041



Drive cam operating parameters



φ	V max (m/s)
30°	1,5
45°	1
60°	0,75
60-90°	0,25

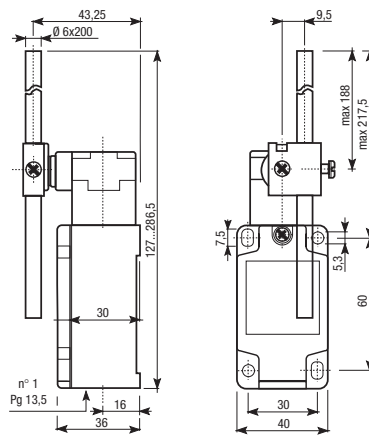
Drive forces	
Minimum command force	25 Ncm
Minimum forced opening force	45 Ncm



Side rotary adjustable Ø6 mm aluminium rod

Contact element	Cable entry				Contact travel
	PG 13,5		M20 x 1,5		
	Metal head Plastic body	Metal head Metal body	Metal head Plastic body	Metal head Metal body	
<b>1NO+1NC snap action</b>  <b>00</b>	<b>E40000HI*</b>	<b>E40000HM*</b>	<b>E40100HI*</b>	<b>E40100HM*</b>	 0 27 50F 75° 21-22 13-14 21-22 13-14 15°
<b>1NO+1NC slow action</b>  <b>01</b>	<b>E40001HI*</b>	<b>E40001HM*</b>	<b>E40101HI*</b>	<b>E40101HM*</b>	 0 25 32 46F 75° 21-22 13-14
<b>1NO+1NC slow overlap.</b>  <b>02</b>	<b>E40002HI</b>	<b>E40002HM</b>	<b>E40102HI</b>	<b>E40102HM</b>	 0 38 45 66F 75° 25-26 17-18
<b>2NO slow action</b>  <b>03</b>	<b>E40003HI</b>	<b>E40003HM</b>	<b>E40103HI</b>	<b>E40103HM</b>	 0 45 75° 13-14 23-24
<b>2NC slow action</b>  <b>04</b>	<b>E40004HI</b>	<b>E40004HM</b>	<b>E40104HI</b>	<b>E40104HM</b>	 0 34 54F 75° 11-12 21-22
<b>2NC snap action</b>  <b>05</b>	<b>E40005HI</b>	<b>E40005HM</b>	<b>E40105HI</b>	<b>E40105HM</b>	 0 25 54F 75° 11-12 21-22 11-12 21-22 15°
<b>Weight</b> kg	0,21	0,425	0,21	0,425	
<b>Pack</b> pcs	1	1	1	1	

\* form conforming to EN 50041



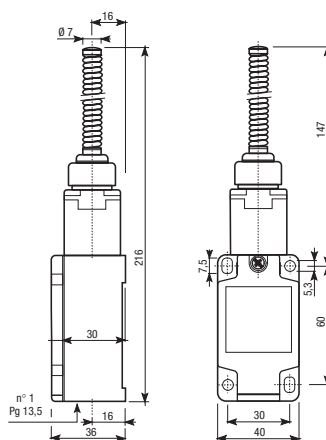
L



Flexible rod

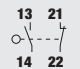
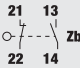
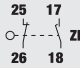
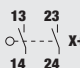
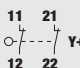
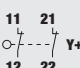
Contact element	
1NO+1NC snap action  13 21 14 22	00
1NO+1NC slow action  21 13 22 14	01
1NO+1NC slow overlap.  25 17 26 18	02
2NO slow action  13 23 14 24	03
2NC slow action  11 21 12 22	04
2NC snap action  11 21 12 22	05
Weight	kg
Pack	pcs

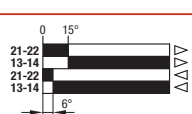
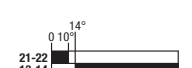
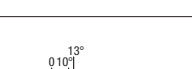


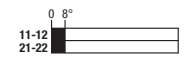
Cable entry				
PG 13,5		M20 x 1,5		Contact travel
Metal head Plastic body	Metal head Metal body	Metal head Plastic body	Metal head Metal body	
E40000LI	E40000LM	E40100LI	E40100LM	
E40001LI	E40001LM	E40101LI	E40101LM	
E40002LI	E40002LM	E40102LI	E40102LM	
E40003LI	E40003LM	E40103LI	E40103LM	
E40004LI	E40004LM	E40104LI	E40104LM	
E40005LI	E40005LM	E40105LI	E40105LM	
0,28	0,395	0,28	0,395	
1	1	1	1	

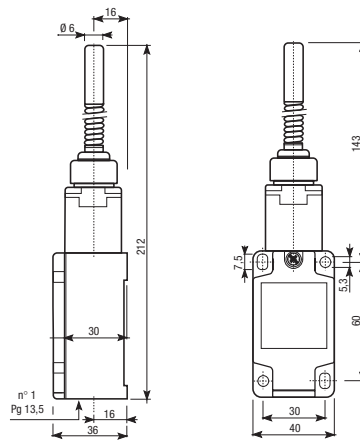




Flexible rod with plastic terminal

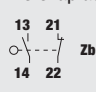
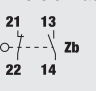
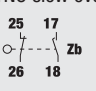
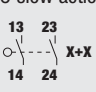
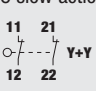
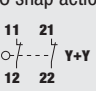
Contact element	
1NO+1NC snap action  Zb 13 21 14 22	00
1NO+1NC slow action  Zb 21 13 22 14	01
1NO+1NC slow overlap.  Zb 25 17 26 18	02
2NO slow action  X+X 13 23 14 24	03
2NC slow action  Y+Y 11 21 12 22	04
2NC snap action  Y+Y 11 21 12 22	05
Weight	kg
Pack	pcs

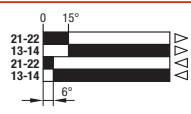
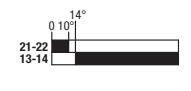
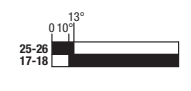
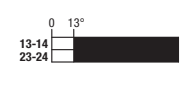
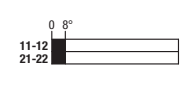
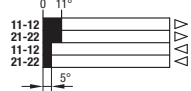
		Cable entry				
		PG 13,5		M20 x 1,5		
		Metal head Plastic body	Metal head Metal body	Metal head Plastic body	Metal head Metal body	Contact travel
	E40000LPI	E40000LPM	E40100LPI	E40100LPM		
	E40001LPI	E40001LPM	E40101LPI	E40101LPM		
	E40002LPI	E40002LPM	E40102LPI	E40102LPM		
	E40003LPI	E40003LPM	E40103LPI	E40103LPM		
	E40004LPI	E40004LPM	E40104LPI	E40104LPM		
	E40005LPI	E40005LPM	E40105LPI	E40105LPM		
	0,28	0,395	0,28	0,395		
	1	1	1	1		





Cat's whisker

Contact element	
1NO+1NC snap action 	<b>00</b>
1NO+1NC slow action 	<b>01</b>
1NO+1NC slow overlap. 	<b>02</b>
2NO slow action 	<b>03</b>
2NC slow action 	<b>04</b>
2NC snap action 	<b>05</b>
<b>Weight</b>	<b>kg</b>
<b>Pack</b>	<b>pcs</b>

Cable entry				Contact travel
PG 13,5		M20 x 1,5		
Metal head Plastic body	Metal head Metal body	Metal head Plastic body	Metal head Metal body	
<b>E40000LSI</b>	<b>E40000LSM</b>	<b>E40100LSI</b>	<b>E40100LSM</b>	
<b>E40001LSI</b>	<b>E40001LSM</b>	<b>E40101LSI</b>	<b>E40101LSM</b>	
<b>E40002LSI</b>	<b>E40002LSM</b>	<b>E40102LSI</b>	<b>E40102LSM</b>	
<b>E40003LSI</b>	<b>E40003LSM</b>	<b>E40103LSI</b>	<b>E40103LSM</b>	
<b>E40004LSI</b>	<b>E40004LSM</b>	<b>E40104LSI</b>	<b>E40104LSM</b>	
<b>E40005LSI</b>	<b>E40005LSM</b>	<b>E40105LSI</b>	<b>E40105LSM</b>	
0,28	0,395	0,28	0,395	
1	1	1	1	

