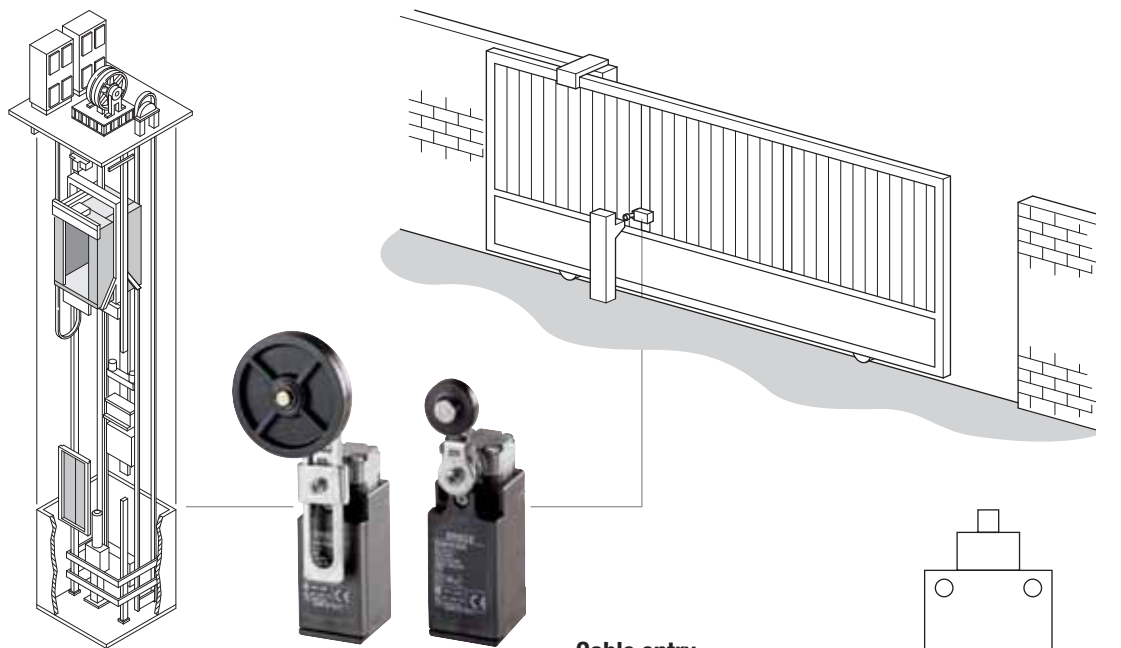


Limit switches for gates and lifts



Product for gates and lifts

For gates and lifts applications Bremas provides a dedicated contact block, 2NC slow action with asymmetric working, to allow the detection of position and direction of the moving part. It is available for E100 and E200 series with plastic or metal body and actuators.



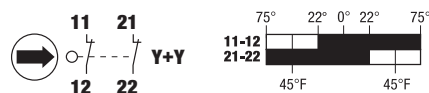
Cable entry

	F	S	D
E100	•		
E200		•	•



Dedicated contact block

Dedicated contact block 07 for gates/lifts



Fixing

E100	20/22 mm
E200	20/22 and 40/42 mm

In conformity with standards:

IEC EN 60947-5-1 • EN 60947-1 • UNI EN 1088
EN ISO 12100-1 • EN ISO 12100-2 • IEC 529 • EN 60529
VDE 0660-200 • VDE 0113 • EN 81-1 • EN 81-2

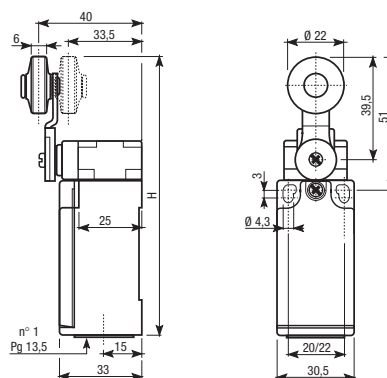
Thread

Thread	Series part no.
Pg 13,5	E100... E200...
M20x1,5	E101... E201...
1/2" NPT (on request)	E102... E202...
Pg 11 (on request)	E103...
M16x1,5 (on request)	E104...
M12 connector (on request)	E100...M12 E200...M12

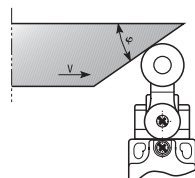


Thermoplastic roller lever

Contact element		Cable entry						Contact travel
		PG 13,5			M20 x 1,5			
2NC slow action		Metal head Plastic body	Metal head Metal body	Metal head Plastic body	Metal head Metal body			
		E10007EIC	E10007EMC	E10107EIC	E10107EMC			
07								
Weight	kg	0,081	0,135	0,225	0,081	0,135	0,225	
Pack	pcs	1	1	1	1	1	1	
H	mm	108,5	108,5	106	108,5	108,5	106	



Drive cam operating parameters

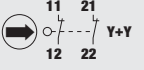


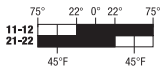
φ	V max (m/s)
30°	1,5
45°	1
60°	0,75
60-90°	0,25

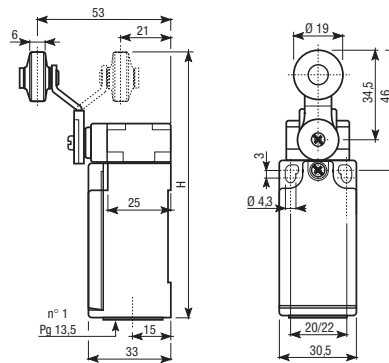
Drive forces	
Minimum command force	15 Ncm
Minimum forced opening force	35 Ncm



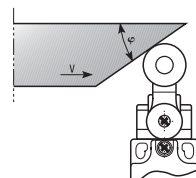
Thermoplastic roller lever

Contact element	
2NC slow action	07
	
Weight	kg
Pack	pcs
H	mm

Cable entry				Contact travel
PG 13,5		M20 x 1,5		
Metal head Plastic body	Metal head Metal body	Metal head Plastic body	Metal head Metal body	
E10007IIC	E10007IMC	E10107IIC	E10107IMC	
0,13	0,225	0,13	0,225	
1	1	1	1	
103,5	101	103,5	101	



Drive cam operating parameters



φ	V max (m/s)
30°	1,5
45°	1
60°	0,75
60-90°	0,25

Drive forces	
Minimum command force	15 Ncm
Minimum forced opening force	35 Ncm

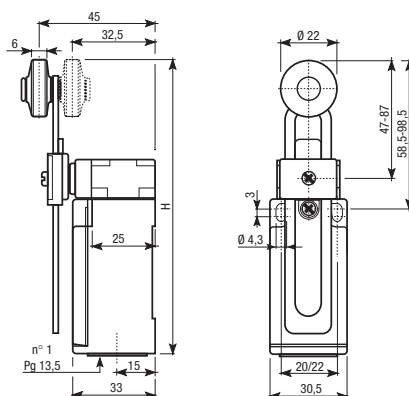
F•C



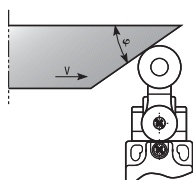
Thermoplastic roller variable length lever

Contact element	
2NC slow action 07	
Weight	kg
Pack	pcs
H	mm

Cable entry				Contact travel
PG 13,5		M20 x 1,5		
Metal head Plastic body	Metal head Metal body	Metal head Plastic body	Metal head Metal body	
E10007FIC	E10007FMC	E10107FIC	E10107FMC	
0,15	0,24	0,15	0,24	
1	1	1	1	
116 ÷ 156	113,5 ÷ 153,5	103,5	101	



Drive cam operating parameters



φ	V max (m/s)
30°	1,5
45°	1
60°	0,75
60-90°	0,25

Drive forces	
Minimum command force	15 Ncm
Minimum forced opening force	35 Ncm

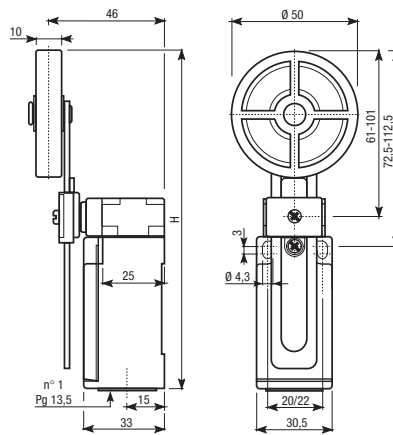
F•50C



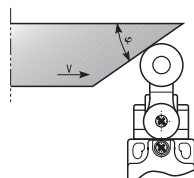
Ø50 mm rubber roller variable length lever

Contact element	
2NC slow action 	07
Weight	kg
Pack	pcs
H	mm

Cable entry				Contact travel
PG 13,5		M20 x 1,5		
Metal head Plastic body	Metal head Metal body	Metal head Plastic body	Metal head Metal body	
E10007FI50C	E10007FM50C	E10107FI50C	E10107FM50C	
0,16	0,25	0,16	0,25	
1	1	1	1	
130 ÷ 170	127,5 ÷ 167,5	130 ÷ 170	127,5 ÷ 167,5	



Drive cam operating parameters



φ	V max (m/s)
30°	1,5
45°	1
60°	0,75
60-90°	0,25

Drive forces	
Minimum command force	15 Ncm
Minimum forced opening force	35 Ncm

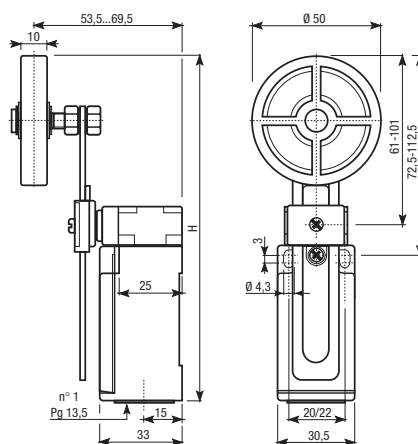
FR•50C



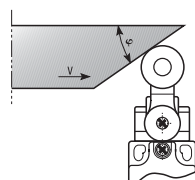
Ø50 mm rubber roller adjustable lever

Contact element	
2NC slow action 07	
Weight	kg
Pack	pcs
H	mm

Cable entry				Contact travel
PG 13,5		M20 x 1,5		
Metal head Plastic body	Metal head Metal body	Metal head Plastic body	Metal head Metal body	
E10007FRI50C	E10007FRM50C	E10107FRI50C	E10107FRM50C	
0,16	0,25	0,16	0,25	
1	1	1	1	
130 ÷ 170	127,5 ÷ 167,5	130 ÷ 170	127,5 ÷ 167,5	



Drive cam operating parameters



φ	V max (m/s)
30°	1,5
45°	1
60°	0,75
60-90°	0,25

Drive forces	
Minimum command force	15 Ncm
Minimum forced opening force	35 Ncm

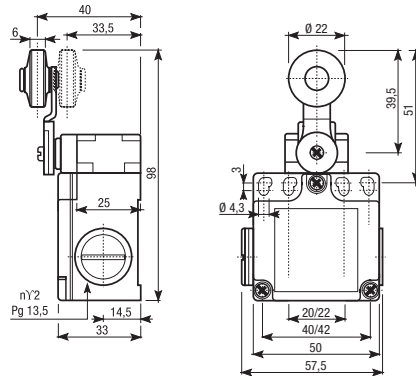


E•C

Thermoplastic roller lever

Cable entry		Contact travel
PG 13,5	M20 x 1,5	
Metal head	Metal head	
Plastic body	Plastic body	
E20007EIC	E20107EIC	
0,16		
1		

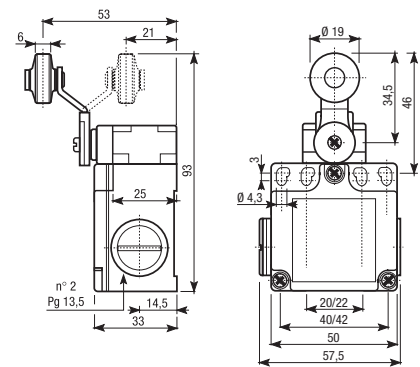
Contact element		07
2NC slow action		
Weight	kg	
Pack	pcs	



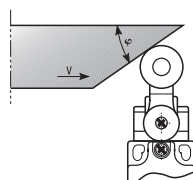
I•C

Thermoplastic roller lever

Cable entry		Contact travel
PG 13,5	M20 x 1,5	
Metal head	Metal head	
Plastic body	Plastic body	
E20007IIC	E20107IIC	
0,16		
1		



Drive cam operating parameters



φ	V max (m/s)
30°	1,5
45°	1
60°	0,75
60-90°	0,25

Drive forces	
Minimum command force	15 Ncm
Minimum forced opening force	35 Ncm



Available for series: E100
E200
E300
E400

In conformity with standards:
IEC/EN 60947-1
IEC/EN 60947-5-1

Contact element

Contact element	Code	Description	Pack	Weight conf. (kg)
1NO+1NC snap action 	00	1NO+1NC snap action	5	0,495
1NO+1NC slow action 	01	1NO+1NC slow action	5	0,485
1NO+1NC slow overlap. 	02	1NO+1NC slow overlap	5	0,485
2NO slow action 	03	2NO slow action	5	0,485
2NC slow action 	04	2NC slow action	5	0,485
2NC snap action 	05	2NC snap action	5	0,485
2NC slow action 	07	2NC slow action	5	0,485
2NC slow action 	08	2NC slow action	5	0,485

* for E400 serie

