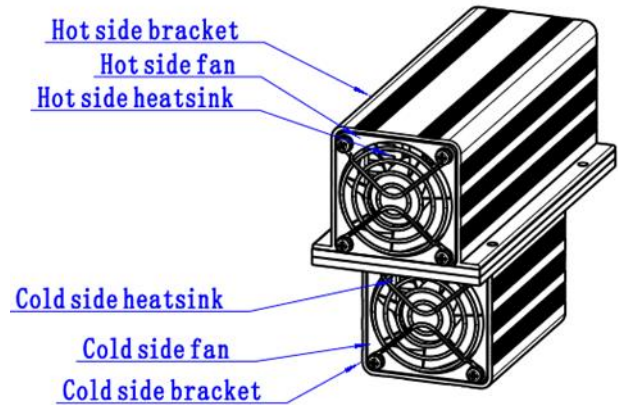


# MODEL SI-AA-0033-D012-30



## THERMOELECTRIC ASSEMBLY

Air-to-air type thermoelectric assembly for various industrial applications, to meet demands of higher COP, lower consumption and high performance.

### Feature

- Easy to install
- High reliability
- RoHs / REACH compliant
- Precise temperature control(controller needed)
- Low noise(slight vibration while fan rotating)

### Application

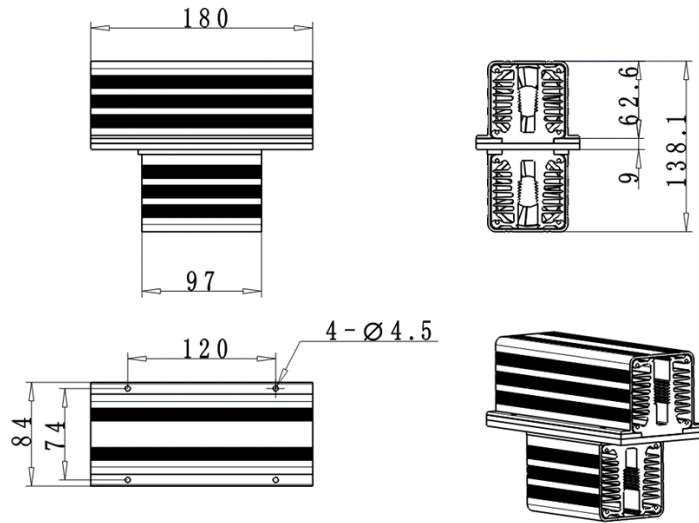
- Incubators
- Battery compartments
- Various kinds of cabinets.

## PARAMETER

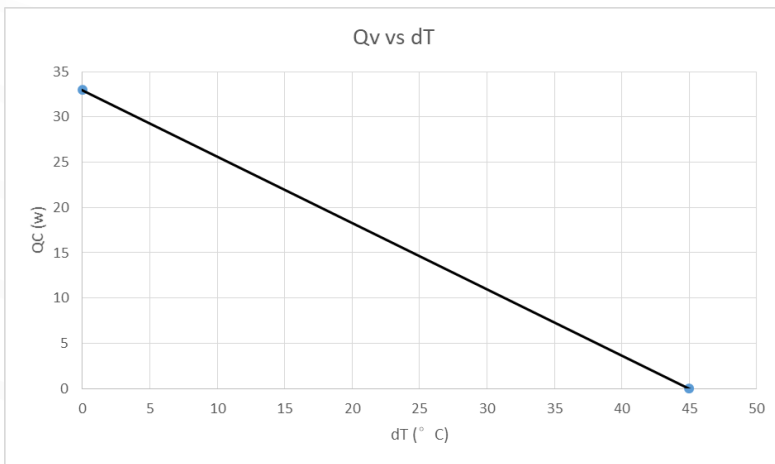
Operating temperature	-10~55°C
Voltage	12VDC / 15VDC Max
Current	3.7A
Electric power	45W
Cooling capacity	$Q_{max} = 33W$
Tolerance	10%

## DIMENSION

(Unit: mm)



## PERFORMANCE CURVE



## NOMENCLATURE

