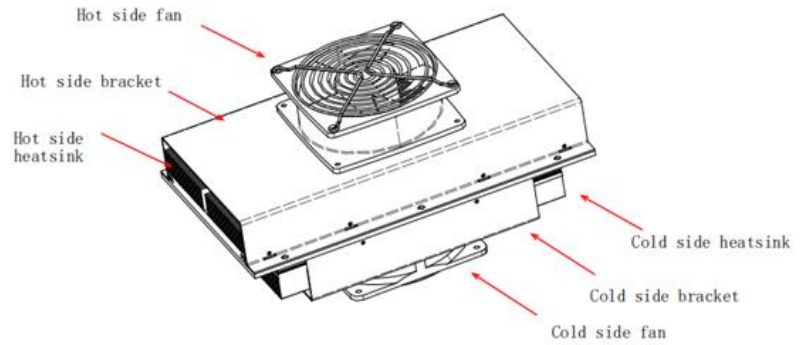


MODEL SI-AA-0150-D024-30



THERMOELECTRIC ASSEMBLY

Air-to-air type thermoelectric assembly for various industrial applications, to meet demands of higher COP, lower consumption and high performance.

Feature

- Easy to install
- High reliability
- RoHs / REACH compliant
- Precise temperature control(controller needed)
- Low noise(slight vibration while fan rotating)

Application

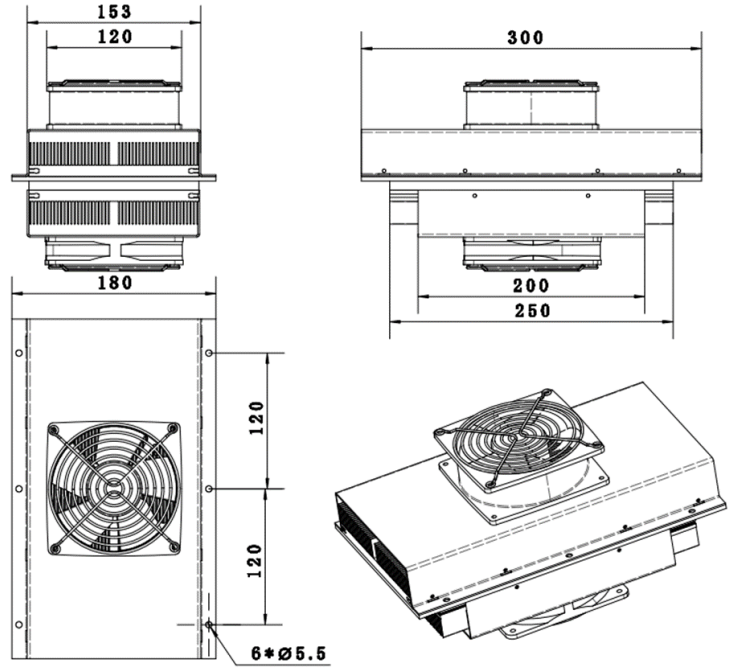
- Incubators
- Battery compartments
- Various kinds of cabinets.

PARAMETER

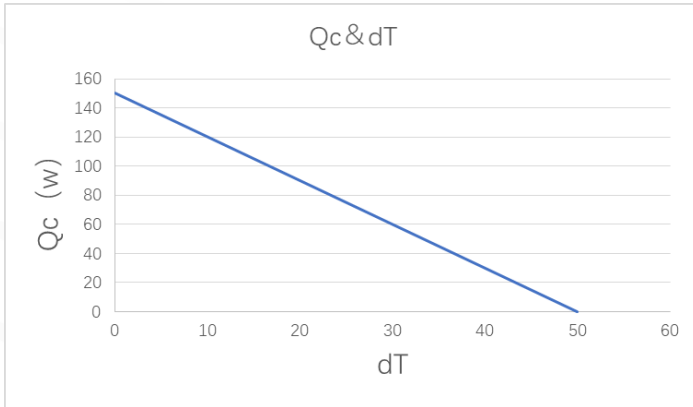
Operating temperature	-10~55°C
Voltage	24VDC / 28VDC Max
Current	7.9A
Electric power	195W
Cooling capacity	$Q_{max} = 150W$
Tolerance	10%
Single wire length	500±10mm

DIMENSION

(Unit: mm)



PERFORMANCE CURVE



NOMENCLATURE

