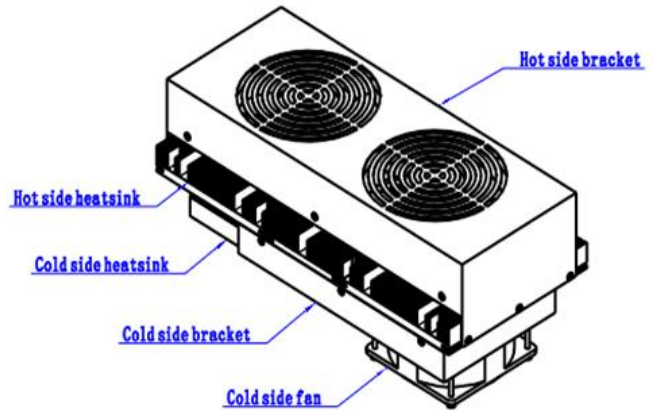
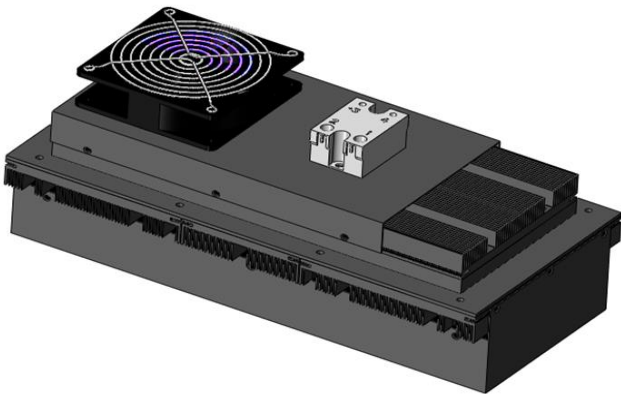


MODEL SI-AA-0400-D048-30



THERMOELECTRIC ASSEMBLY

Air-to-air type thermoelectric assembly for various industrial applications, to meet demands of higher COP, lower consumption and high performance.

Feature

- Easy to install
- High reliability
- RoHs / REACH compliant
- Precise temperature control(controller needed)
- Low noise(slight vibration while fan rotating)

Application

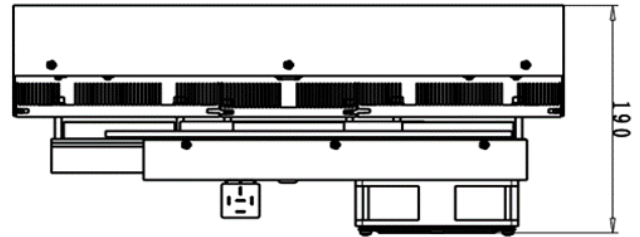
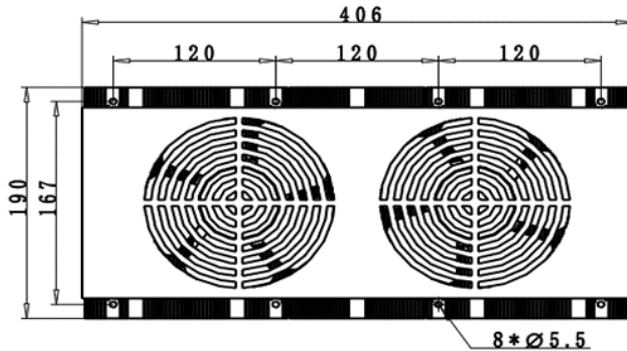
- Incubators
- Battery compartments
- Various kinds of cabinets.

PARAMETER

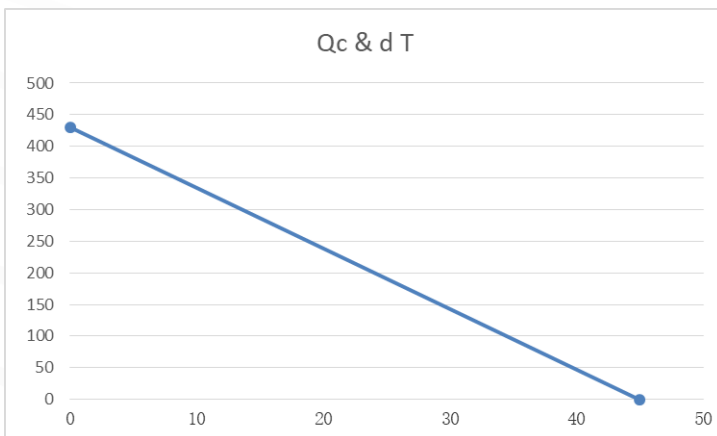
| | |
|-----------------------|-------------------|
| Operating temperature | -10~55°C |
| Voltage | 48VDC / 56VDC Max |
| Current | 9.4A |
| Electric power | 450W |
| Cooling capacity | Qmax= 430W |
| Tolerance | 10% |

DIMENSION

(Unit: mm)



PERFORMANCE CURVE



NOMENCLATURE

