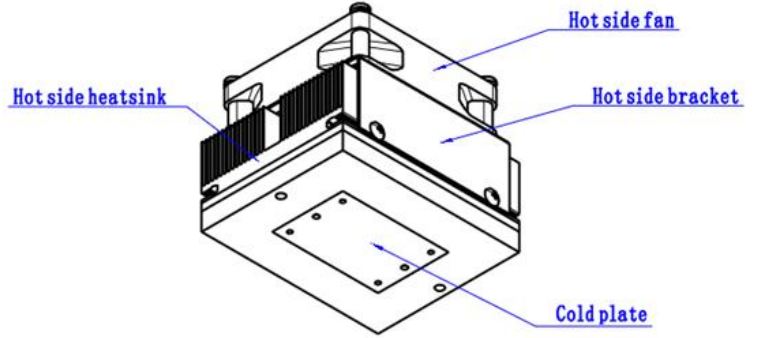
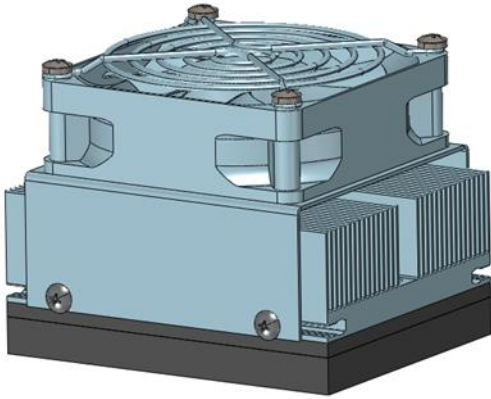


MODEL SI-DA-0034-D012-10



THERMOELECTRIC ASSEMBLY

Direct-to-air type thermoelectric assembly for various industrial applications, to meet demands of higher COP, lower consumption and high performance.

Feature

- Easy to install
- High reliability
- Compact design
- RoHs / REACH compliant
- Solid-state operation
- Precise temperature control(controller needed)
- Low noise(slight vibration while fan rotating)

Application

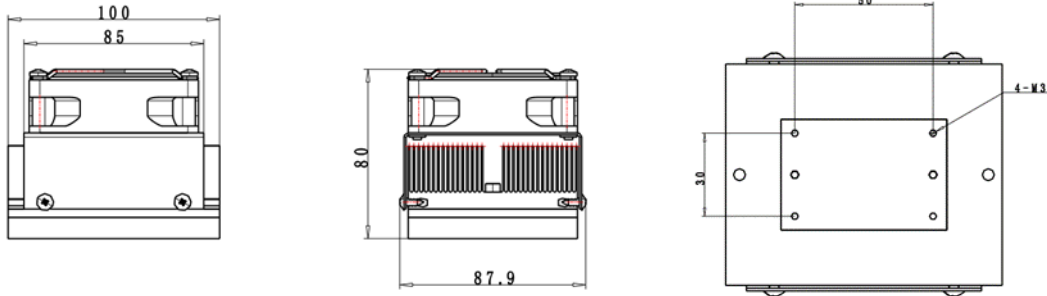
- Incubators
- Battery compartments
- Constant temperature platforms

PARAMETER

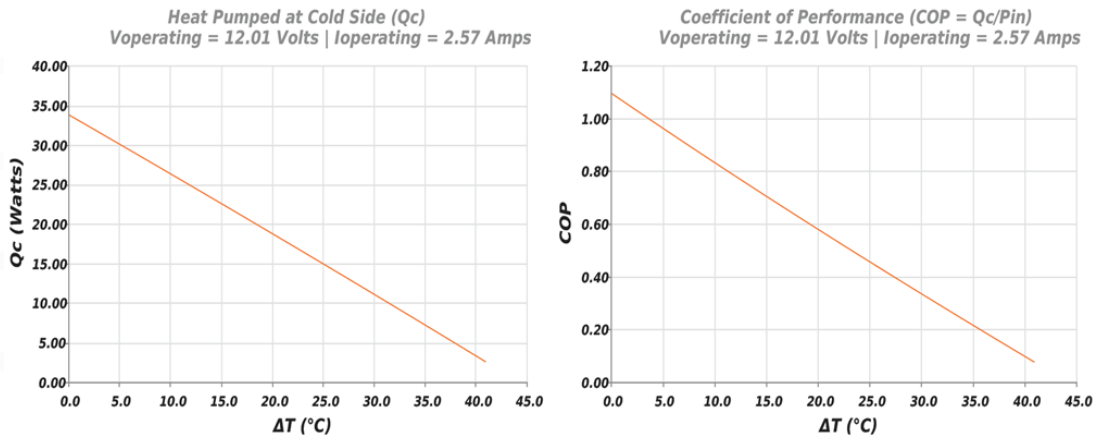
Operating temperature	-10~46°C
Voltage	12VDC / 15VDC Max
Current	Operating: 2.6A / Start: 3.2A
Electric power	31W
Cooling capacity	$Q_{max} = 34W$
Tolerance	10%

DIMENSION

(Unit: mm)



PERFORMANCE CURVE



NOMENCLATURE

Category:

M-Machine
S-Assembly
P-Part
F-Solution
W-Water tanker

Type:

AA-Air-to-Air
DA-Direct-to-Air
LA-Liquid-to-Air
DL-Direct-to-Liquid
LL-Liquid-to-Liquid

Voltage:

D024-DC 24V
D- DC
A- AC

S 1 A A 0 3 0 0 D 0 2 4 0 1

Application:

1-Industrial
2-Medical
3-Communication
4-Consumer
5-Others

Qc Max:

0300: Qc Max
300W

Fan:

0: W/O Fan
1: W/ hot fan, W/O cold fan
2: W/O hot fan, W/ cold fan
3: W/ both hot fan and cold fan

Voltage:

0: W/O power supply and controller
1: W/ power supply
2: W/ controller
3: W/ power supply and controller