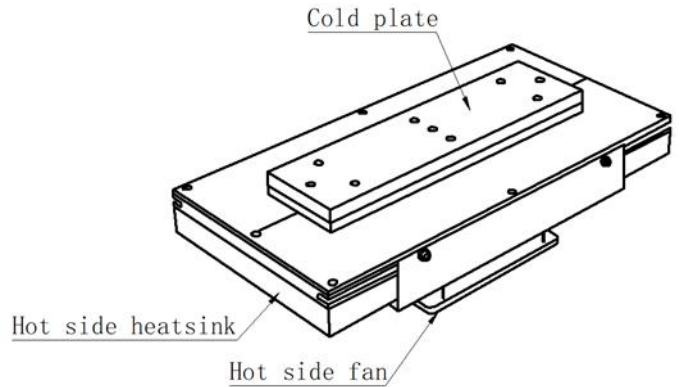


# MODEL SI-DA-0105-D024-10



## THERMOELECTRIC ASSEMBLY

Direct-to-air type thermoelectric assembly for various industrial applications, to meet demands of higher COP, lower consumption and high performance.

### Feature

- Easy to install
- High reliability
- RoHs / REACH compliant
- Precise temperature control(controller needed)
- Low noise(slight vibration while fan rotating)

### Application

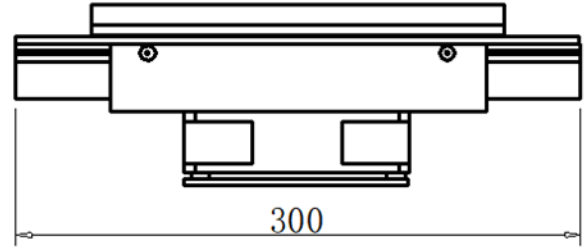
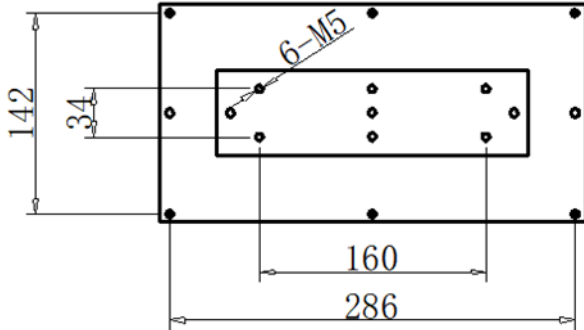
- Incubators
- Battery compartments
- Various kinds of cabinets

## PARAMETER

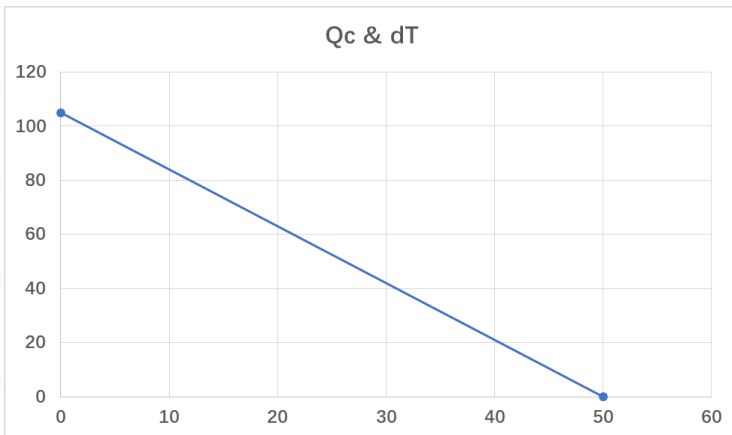
Operating temperature	-10~55°C
Voltage	24VDC / 30VDC Max
Current	5.8A
Electric power	139W
Cooling capacity	$Q_{max}=105W$
Tolerance	10%

## DIMENSION

(Unit: mm)



## PERFORMANCE CURVE



## NOMENCLATURE

Category:

M-Machine  
S-Assembly  
P-Part  
F-Solution  
W-Water tanker

Type:

AA-Air-to-Air  
DA-Direct-to-Air  
LA-Liquid-to-Air  
DL-Direct-to-Liquid  
LL-Liquid-to-Liquid

Voltage:

D024-DC 24V  
D- DC  
A- AC

S 1 A A 0 3 0 0 D 0 2 4 0 1

Application:

1-Industrial  
2-Medical  
3-Communication  
4-Consumer  
5-Others

Qc Max:

0300: Qc Max  
300W

Fan:

0: W/O Fan  
1: W/ hot fan, W/O cold fan  
2: W/O hot fan, W/ cold fan  
3: W/ both hot fan and cold fan

Voltage:

0: W/O power supply and controller  
1: W/ power supply  
2: W/ controller  
3: W/ power supply and controller