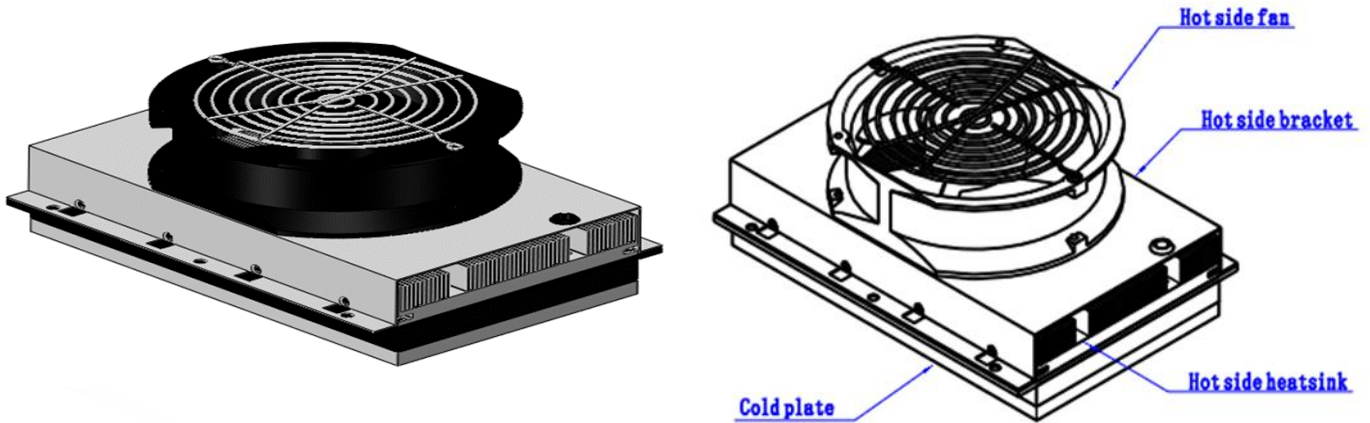


# MODEL SI-DA-0280-D024-10



## THERMOELECTRIC ASSEMBLY

Direct-to-air type thermoelectric assembly for precise temperature control (spot temperature control accuracy: 0.1°C).

### Feature

- Compact design
- High reliability
- RoHs / REACH compliant
- Precise temperature control
- Low noise

### Application

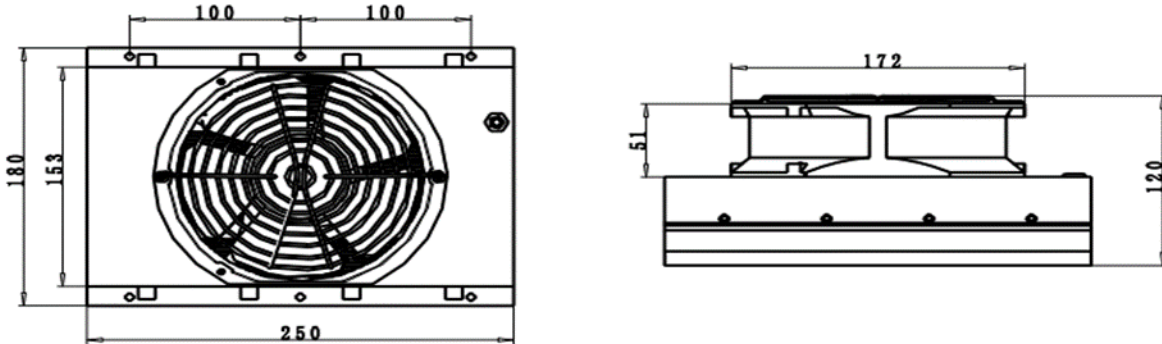
- Medical testing and control
- Lab analytical
- Equipment

## PARAMETER

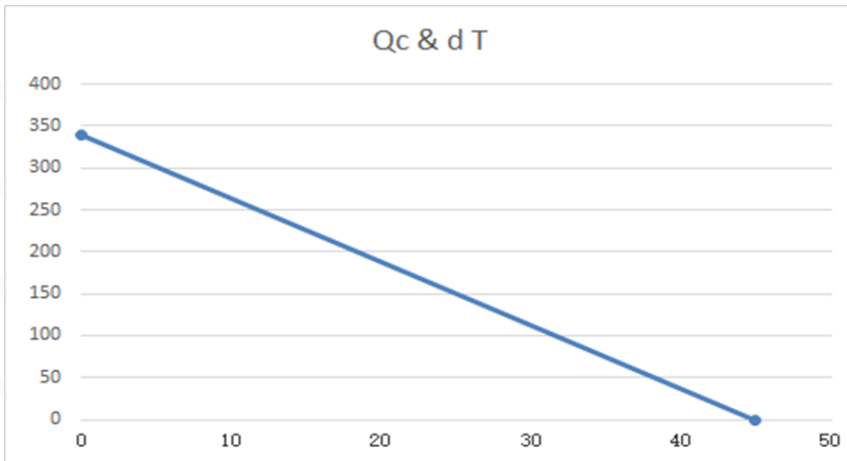
Operating temperature	-10~55°C
Voltage	24VDC / 30VDC Max
Current	12A
Electric power	400W
Cooling capacity	$Q_{max} = 280W$
Tolerance	10%

## DIMENSION

(Unit: mm)



## PERFORMANCE CURVE



## NOMENCLATURE

