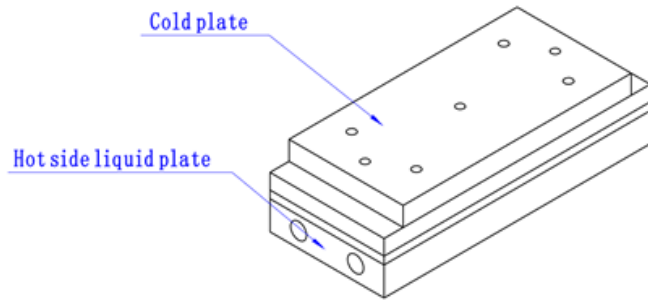


# MODEL SI-DL-0120-D024-00



## THERMOELECTRIC ASSEMBLY

Direct-to-liquid type thermoelectric assembly for various industrial and medical applications, to meet demands of higher COP, lower consumption and high performance.

### Feature

- Compact design
- High reliability
- RoHs / REACH compliant
- Precise temperature control
- Solid-state operation

### Application

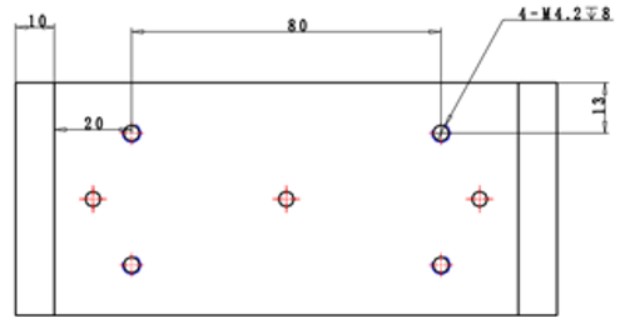
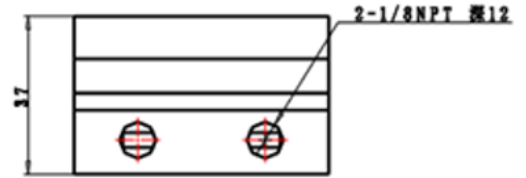
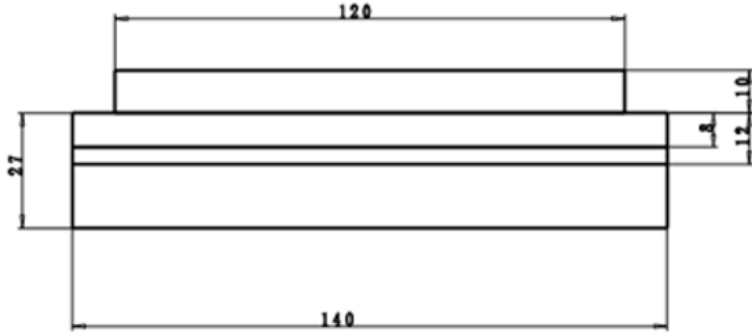
- Medical analysis and diagnosis
- Industrial and medical laser

## PARAMETER

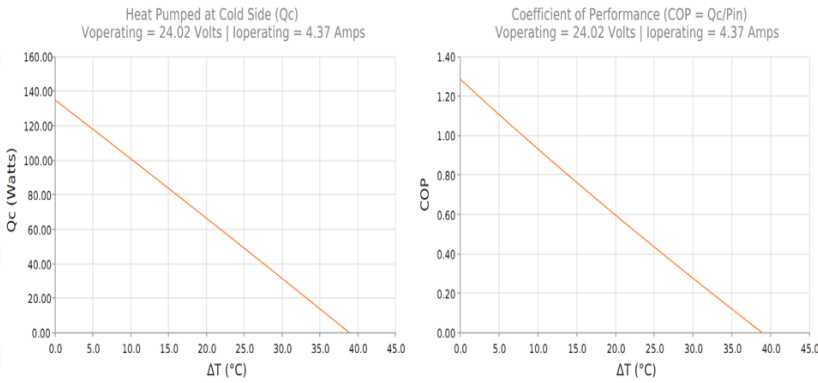
Operating temperature	-40~62°C
Voltage	24VDC / 28VDC Max
Current	Operating: 4.1A / Start: 4.7
Electric power	98W
Cooling capacity	$Q_{max} = 120W$
Tolerance	10%

## DIMENSION

(Unit: mm)



## PERFORMANCE CURVE



## NOMENCLATURE

