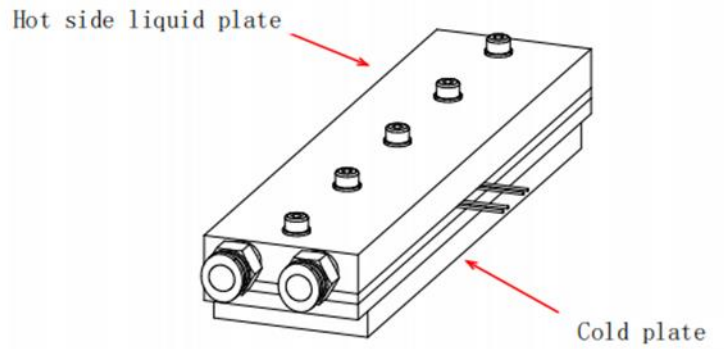
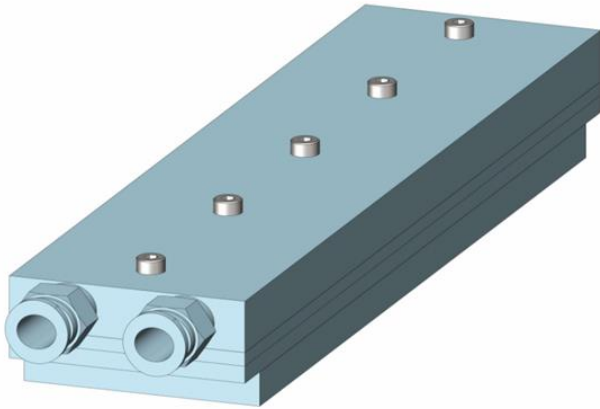


# MODEL S1-DL-0210-D024-00



## THERMOELECTRIC ASSEMBLY

Direct-to-liquid type thermoelectric assembly for various industrial applications, to meet demands of higher COP, lower consumption and high performance.

### Feature

- Easy to install
- High reliability
- RoHs / REACH compliant
- Precise temperature control(controller needed)

### Application

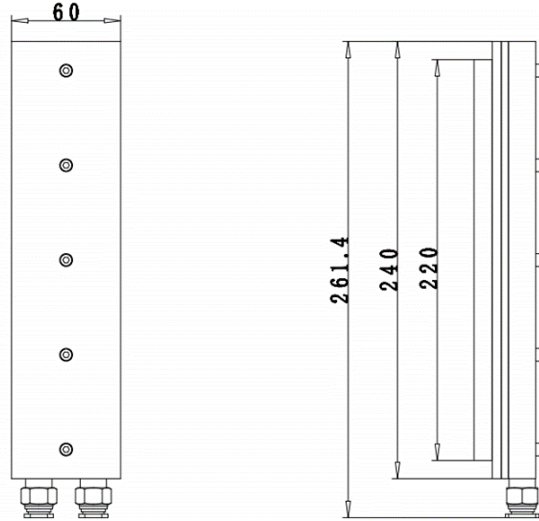
- Incubators
- Battery compartments
- Various kinds of cabinets

## PARAMETER

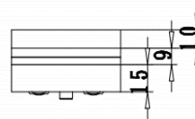
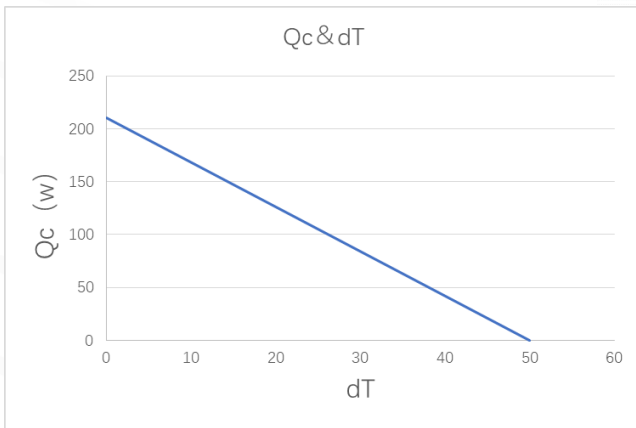
Operating temperature	-10~55°C
Voltage	24VDC / 28VDC Max
Current	7.8A
Electric power	220W
Cooling capacity	$Q_{max} = 210W$
Tolerance	10%
Single wire length	500±10mm

## DIMENSION

(Unit: mm)



## PERFORMANCE CURVE



## NOMENCLATURE

Category:

- M-Machine
- S-Assembly
- P-Part
- F-Solution
- W-Water tanker

Type:

- AA-Air-to-Air
- DA-Direct-to-Air
- LA-Liquid-to-Air
- DL-Direct-to-Liquid
- LL-Liquid-to-Liquid

Voltage:

- D024-DC 24V
- D- DC
- A- AC

S 1 A A 0 3 0 0 D 0 2 4 0 1

Application:

- 1-Industrial
- 2-Medical
- 3-Communication
- 4-Consumer
- 5-Others

Qc Max:

0300: Qc Max  
300W

Fan:

- 0: W/O Fan
- 1: W/ hot fan, W/O cold fan
- 2: W/O hot fan, W/ cold fan
- 3: W/ both hot fan and cold fan

Voltage:

- 0: W/O power supply and controller
- 1: W/ power supply
- 2: W/ controller
- 3: W/ power supply and controller