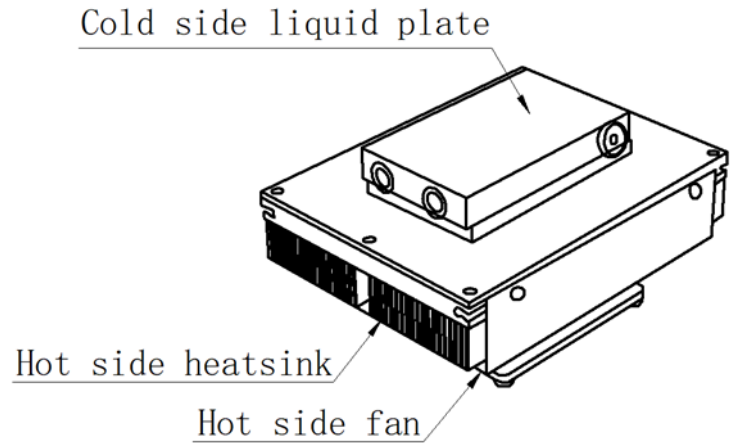
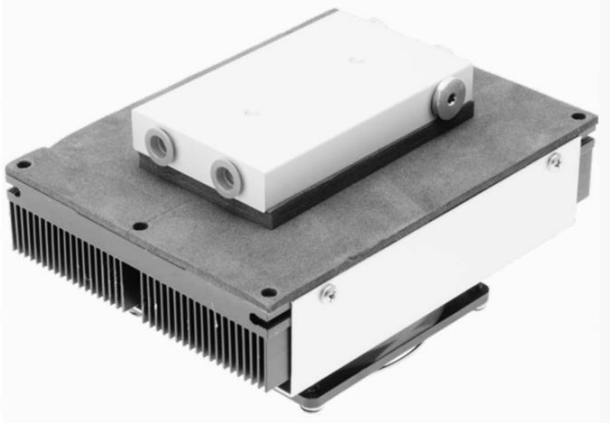


MODEL SI-LA-0045-D024-10



THERMOELECTRIC ASSEMBLY

Liquid-to-air type thermoelectric assembly for various industrial applications, to meet demands of higher COP, lower consumption and high performance.

Feature

- Easy to install
- High reliability
- RoHs / REACH compliant
- Precise temperature control(controller needed)
- Low noise(slight vibration while fan rotating)

Application

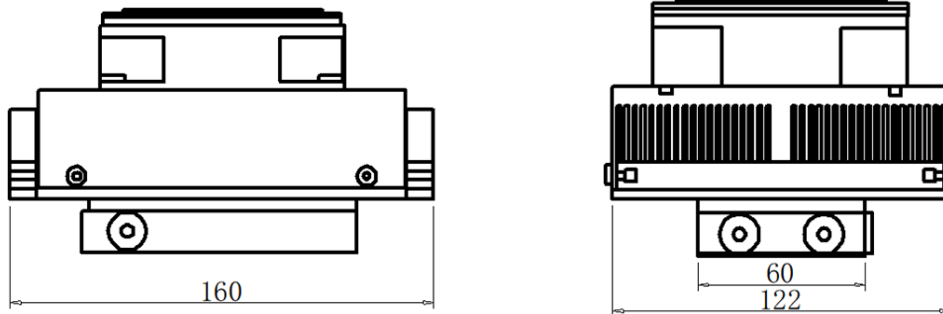
- Incubators
- Battery compartments
- Various kinds of cabinets.

PARAMETER

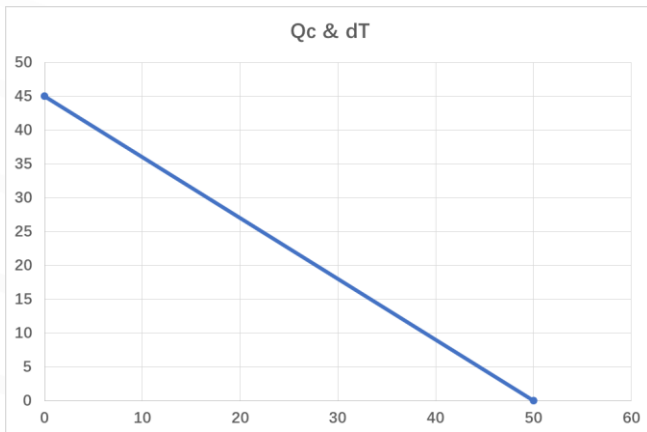
Operating temperature	-10~55°C
Voltage	24VDC / 30VDC Max
Current	2.8A
Electric power	60W
Cooling capacity	$Q_{max} = 45W$
Tolerance	10%

DIMENSION

(Unit: mm)



PERFORMANCE CURVE



NOMENCLATURE

