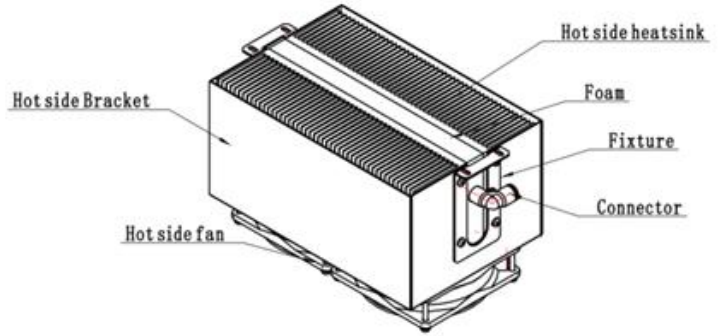


MODEL SI-LA-0300-D024-10



THERMOELECTRIC ASSEMBLY

Liquid-to-air type thermoelectric assembly to meet demands of higher COP, lower consumption and high performance. Temperature of liquid outlet is adjustable ranging from 0 to 40 degrees Celsius with accuracy 1 degree Celsius.

Feature

- Compact design
- High reliability
- RoHs / REACH compliant
- Precise temperature control
- Low noise

Application

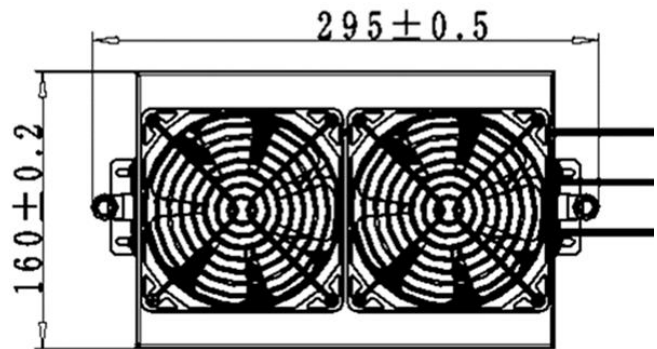
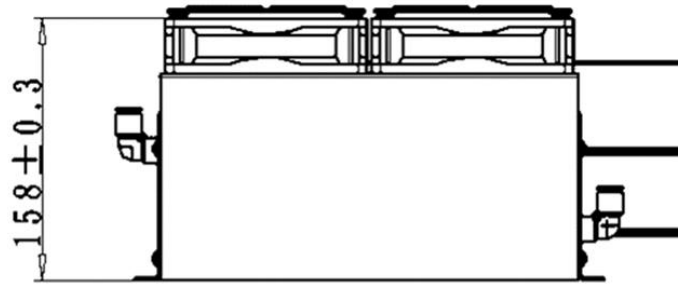
- Medical analysis
- Laser cooling

PARAMETER

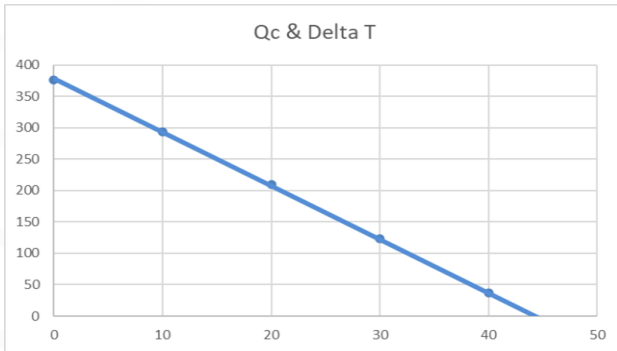
Operating temperature	-10~45°C
Voltage	24VDC Rated / 31.4V DC Max
Current	15A stable / 18A Start
Electric power	360W
Cooling capacity	$Q_{max} = 300W$
Tolerance	10%

DIMENSION

(Unit: mm)



PERFORMANCE CURVE



NOMENCLATURE

Category:

M-Machine
S-Assembly
P-Part
F-Solution
W-Water tanker

Type:

AA-Air-to-Air
DA-Direct-to-Air
LA-Liquid-to-Air
DL-Direct-to-Liquid
LL-Liquid-to-Liquid

Voltage:

D024-DC 24V
D- DC
A- AC

S 1 A A 0 3 0 0 D 0 2 4 0 1

Application:

1-Industrial
2-Medical
3-Communication
4-Consumer
5-Others

Qc Max:

0300: Qc Max
300W

Fan:

0: W/O Fan
1: W/ hot fan, W/O cold fan
2: W/O hot fan, W/ cold fan
3: W/ both hot fan and cold fan

Voltage:

0: W/O power supply and controller
1: W/ power supply
2: W/ controller
3: W/ power supply and controller