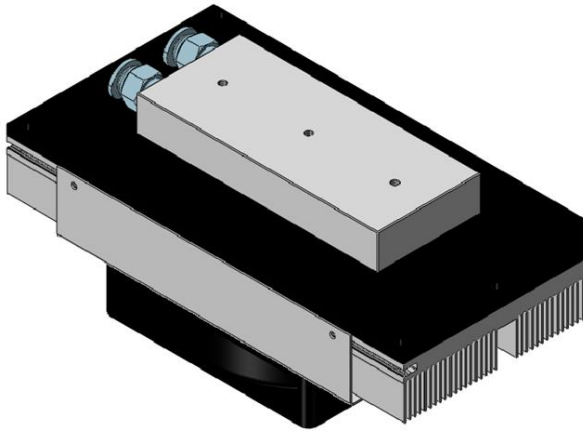
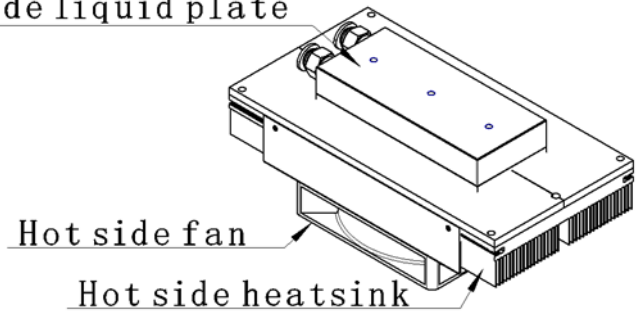


MODEL S2-LA-0075-D024-10



Cold side liquid plate



THERMOELECTRIC ASSEMBLY

Liquid-to-air type thermoelectric assembly for various industrial applications, to meet demands of higher COP, lower consumption and high performance.

Feature

- Easy to install
- High reliability
- RoHs / REACH compliant
- Precise temperature control(controller needed)
- Low noise(slight vibration while fan rotating)

Application

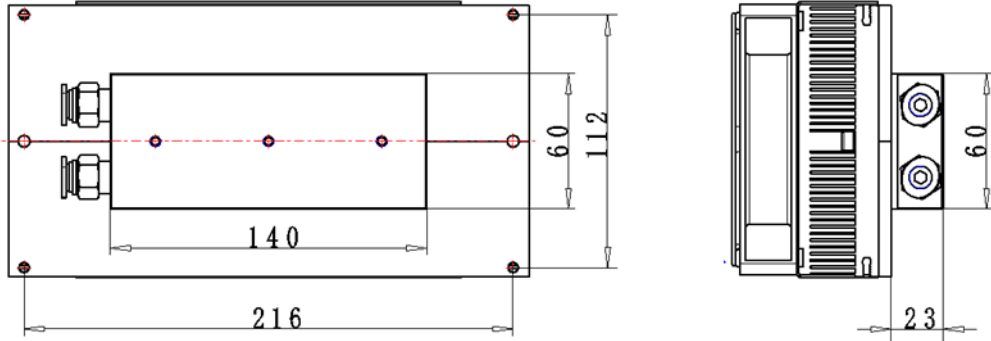
- Medical diagnosis
- Medical and industrial laser
- Analytical instruments

PARAMETER

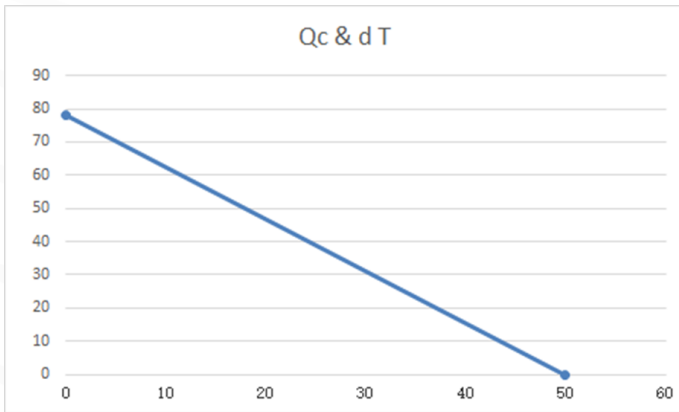
Operating temperature	-10~55°C
Voltage	24VDC / 28VDC Max
Current	3.4A
Electric power	89W
Cooling capacity	$Q_{max} = 75W$
Tolerance	10%

DIMENSION

(Unit: mm)



PERFORMANCE CURVE



NOMENCLATURE

